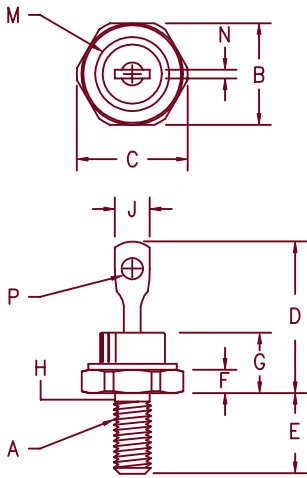


Ultra Fast Recovery Rectifier 1N5812 – 1N5816



- Notes:
1. 10–32 UNF3A threads
 2. Full threads within 2 1/2 threads
 3. Standard Polarity: Stud is Cathode
Reverse Polarity: Stud is Anode

Dim.	Inches		Millimeter		Notes
	Minimum	Maximum	Minimum	Maximum	
A	----	----	----	----	1
B	.424	.437	10.77	11.10	
C	----	.505	----	12.82	
D	.600	.800	15.24	20.32	
E	.422	.453	10.72	11.50	
F	.075	.175	1.91	4.44	
G	----	.405	----	10.29	
H	.163	.189	4.15	4.80	2
J	----	.250	2.54	3.56	
M	----	.350	----	8.89	Dia.
N	.020	.065	.510	1.65	
P	.070	.100	1.78	2.54	Dia.

D0203AA (D04)

Microsemi Catalog Number	Working Peak Reverse Voltage	Repetitive Peak Reverse Voltage
1N5812*	50V	50V
1N5813*	75V	75V
1N5814*	100V	100V
1N5815*	125V	125V
1N5816*	150V	150V

*Add Suffix R For Reverse Polarity

- Ultra Fast Recovery Rectifier
- 175°C Junction Temperature
- V_{RRM} – 50 to 150 Volts
- 20 Amps Current Rating

Electrical Characteristics

Average forward current	$I_{F(AV)}$ 20 Amps	$T_C = 100^\circ\text{C}$, Square wave, $R_{\theta JC} = 1.5^\circ\text{C/W}$
Maximum surge current	I_{FSM} 400 Amps	8.3 ms, half sine $T_C = 100^\circ\text{C}$
Max peak forward voltage	V_{FM} .86 Volts	$I_{FM} = 10\text{A}$; $T_J = 25^\circ\text{C}^*$
Max peak forward voltage	V_{FM} .95 Volts	$I_{FM} = 20\text{A}$; $T_J = 25^\circ\text{C}^*$
Max peak reverse current	I_{RM} 10 μA	V_{RRM} , $T_J = 25^\circ\text{C}$
Max peak reverse current	I_{RM} 1 mA	V_{RRM} , $T_J = 100^\circ\text{C}$
Max reverse recovery time	t_{RR} 35 ns	$I_F = I_R = 1\text{A}$ dc (pk), $I_{(REC)} = 0.1\text{A}$, $di/dt = 85\text{A}/\mu\text{s}$
Max junction capacitance	C_J 300 pF	$V_R = 10\text{V}$, $f = 1\text{MHz}$, $T_J = 25^\circ\text{C}$

*Pulse test: Pulse width 300 μsec , Duty cycle 2%

Thermal and Mechanical Characteristics

Storage temp range	T_{STG}	-65°C to 175°C
Operating junction temp range	T_J	-65°C to 175°C
Max thermal resistance	$R_{\theta JC}$	1.5 $^\circ\text{C/W}$ Junction to case
Mounting torque		12–15 inch pounds
Weight		.16 ounces (5.0 grams) typical

1N5812 — 1N5816

Figure 1
Typical Forward Characteristics

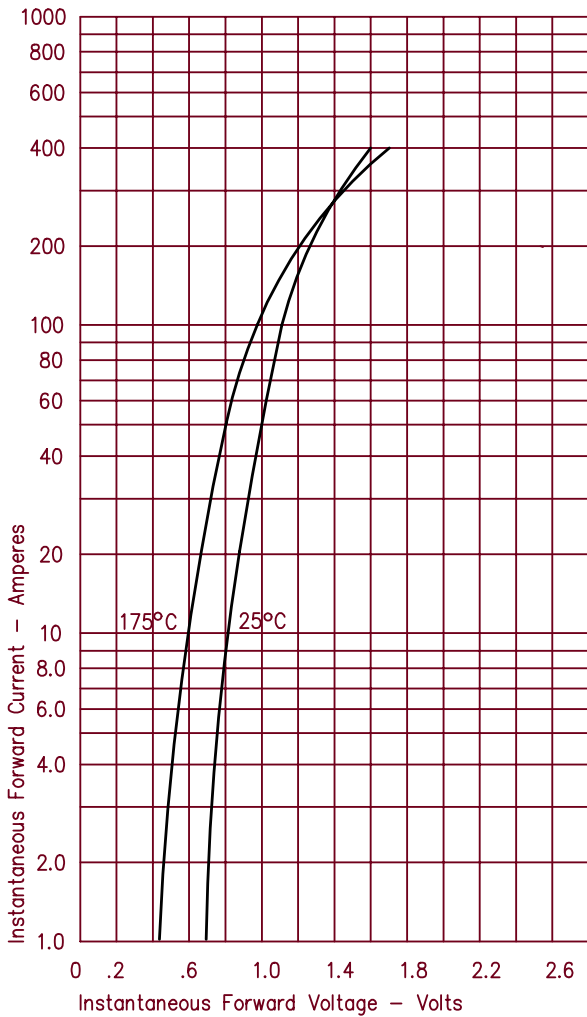


Figure 3
Typical Junction Capacitance

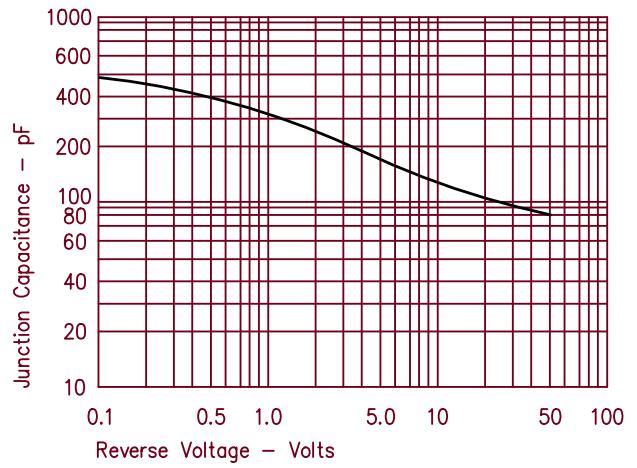


Figure 4
Forward Current Derating

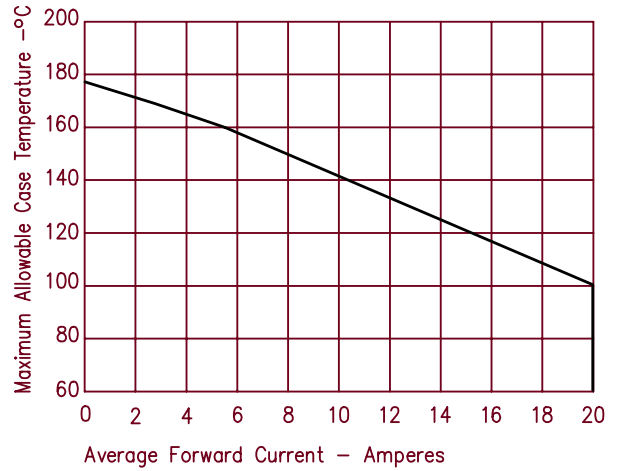


Figure 2
Typical Reverse Characteristics

