

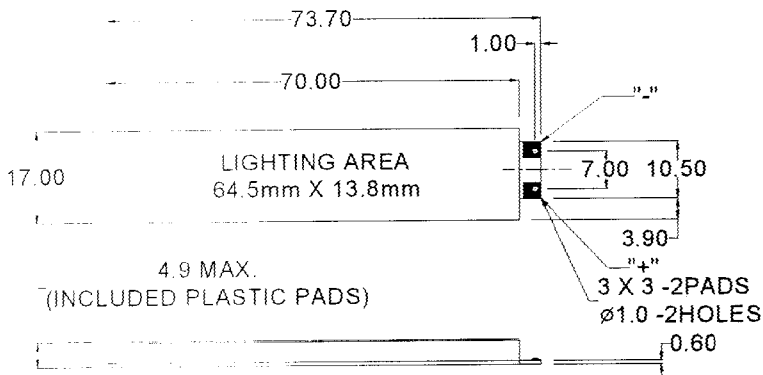
ABSOLUTE MAXIMUM RATINGS

Forward Current	I_F	200mA
Reverse Voltage	V_R	10V
Operating Temperature	T_{opr}	-20 to +70°C
Storage Temperature	T_{stg}	-30 to +80°C

ELECTRO-OPTICAL CHARACTERISTICS (Ta=25°C)

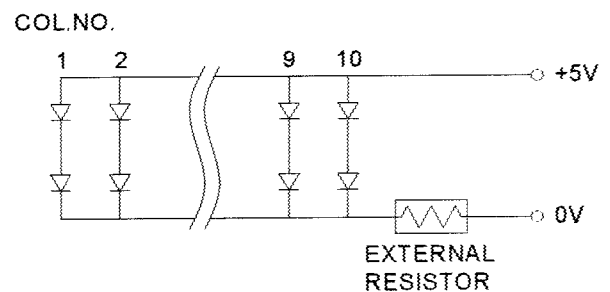
PARAMETER	SYMBOL	MIN	TYP	MAX	UNIT	CONDITIONS
Forward Voltage	V_F	3.8	4.1	4.4	V	$I_F=100mA$
Reverse Current	I_R			100	μA	$V_R=10V$
Peak Wavelength	λ_p		565		nm	$I_F=100mA$
Spectral Line Half Width	$\Delta\lambda$		40		nm	$I_F=100mA$
Brightness	B	60			cd/m ²	$I_F=100mA$

MECHANICAL OUTLINE



ALL DIMENSION IN mm
NO SCALE
TOL : +/-0.3mm

CIRCUIT DIAGRAM



MICRO ELECTRONICS LTD.

38, Hung To Road, Microtron Building, Kwun Tong, Kowloon, Hong Kong.

Kwun Tong P.O. Box 69477 Hong Kong. Fax No. 2341 0321 Telex:43510 Micro Hx. Tel: 2343 0181-5

REV A