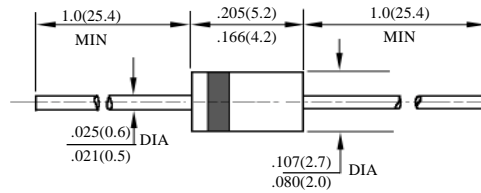


1N4933E – 1N4937E

1A 快速二极管
1A FAST RECOVERY DIODES

型号 TYPE	最大反向 峰值电压 Maximum Peak Reverse Voltage	最大平均正向电流 Maximum Average Rectified Current @ Half-Wave Resistive Load 60Hz		最大正向浪涌电流 Maximum Forward Peak Surge Current @ 8.3ms Superimposed	最大反向漏电流 Maximum Reverse Current @ PRV @ T _A =25°C	最大正向电压 Maximum Forward Voltage @ T _A =25°C		最大反向 恢复时间 Maximum Reverse Recovery Time	外型尺寸 Package Dimensions
	PRV	I _O @ T _L		I _{FM} (Surge)	I _R	I _{FM}	V _{FM}	T _{rr}	
	V _{PK}	A _{AV}	°C	A _{PK}	μA _{dc}	A _{PK}	V _{PK}	ns	
1N4933E	50	1.0	75	30	5.0	1.0	1.2	200	A – 405
1N4934E	100								
1N4935E	200								
1N4936E	400								
1N4937E	600								

 Trr测试条件: I_F = 0.5A, I_R = 1.0A, I_{RR} = 0.25A

 Trr Test Conditions: I_F = 0.5A, I_R = 1.0A, I_{RR} = 0.25A


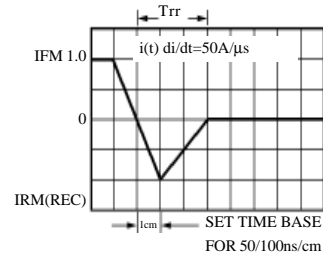
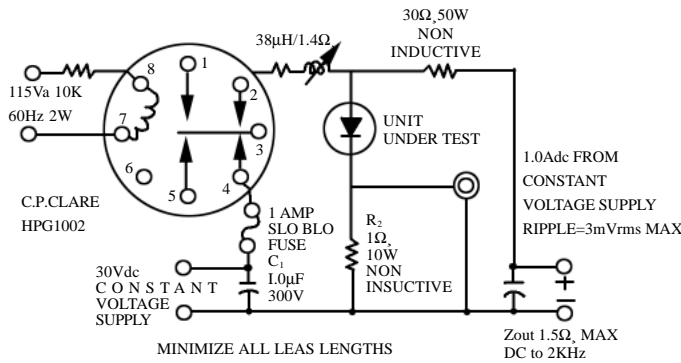
A – 405

1N4933 – 1N4937

快速二极管额定值与特性曲线

RATING & CHARACTERISTIC CURVES OF FAST RECOVERY DIODES

FIG.1 - TEST CIRCUIT DIAGRAM AND REVERSE RECOVERY TIME CHARACTERISTIC



A TEKTRONIX 545A.K PLUG IN PRE AMP R₂ TEN 1W 10Ω, % CARBON CORE
 P6000 PROBE OR EQUIVALENT IN PARALLEL
 R₁ ADJUSTED FOR 1.4 Ω, BETWEEN T_A 25⁺¹⁰ °C FOR RECTIFIER
 POINT 2 OF RELAY AND RECTIFIER
 INDUCTIVE = 38µH

FIG. 2 – TYPICAL FORWARD CURRENT DERATING CURVE

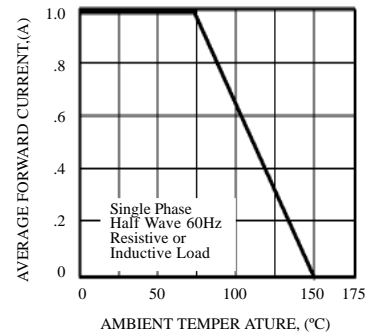


FIG. 3 - TYPICAL INSTANTANEOUS FORWARD CHARACTERISTICS

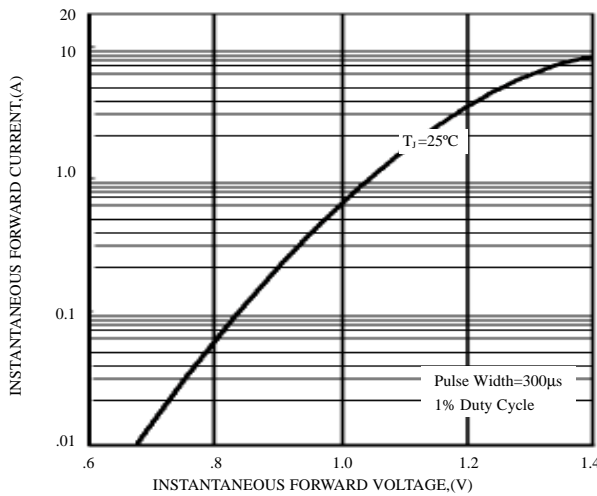


FIG. 4 - MAXIMUM NON-REPETITIVE FORWARD SURGE CURRENT

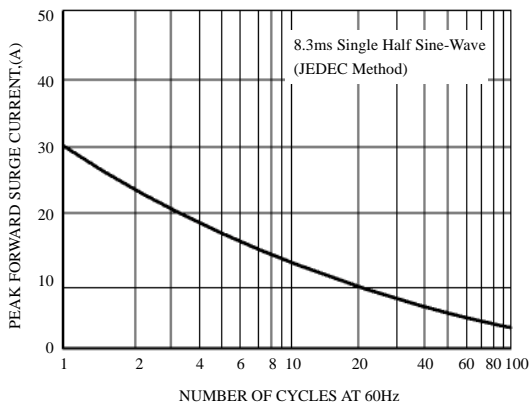


FIG. 5 - TYPICAL JUNCTION CAPACITANCE

