

HD14522B, HD14526B

Programmable Divide-by-N 4-bit Counter

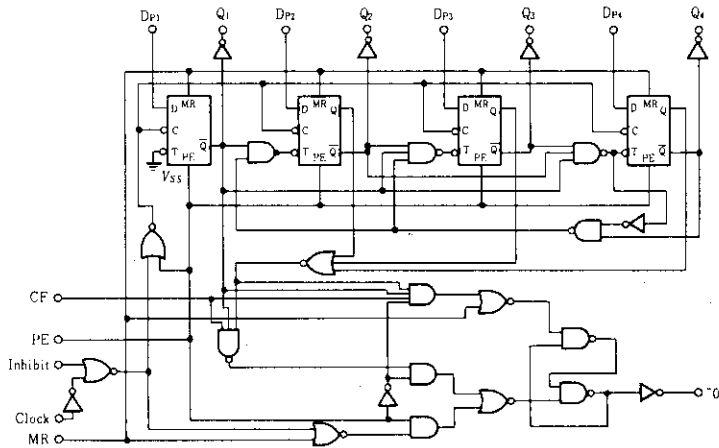
The HD14522B BCD counter and the HD14526B binary counter are programmable, cascadable down counters with a decoded "0" state output for divide-by-N applications. In single stage applications the "0" output is applied to the Preset Enable input. The Cascade Feedback input allows cascade divide-by-N operation with no additional gates required. The Clock Inhibit input allows disabling low power dissipation and/or high noise immunity.

FEATURES

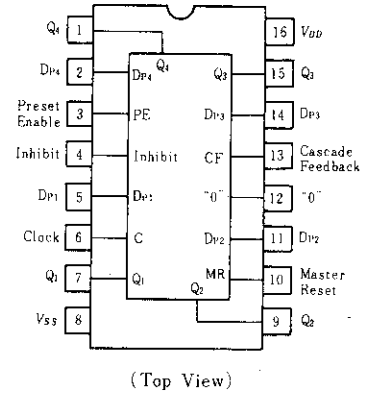
- Quiescent Current=5nA/pkg typ. @5V
- Supply Voltage Range=3 to 18V
- Internally Synchronous for High Internal and External Speeds
- Logic Edge-clocked Design . . . Incremented on Positive transition of Clock or Negative Transition of Clock Inhibit
- 5MHz Counting Rate
- Asynchronous Preset Enable
- Capable of Driving One Low-power Schottky TTL Load Over the Rated Temperature Range

LOGIC DIAGRAM

HD14522B



PIN ARRANGEMENT



TRUTH TABLE

Both Types

Clock	Inhibit	Preset Enable	Master Reset	Action
0	0	0	0	No Count
	0	0	0	Count 1
x	1	0	0	No Count
1		0	0	Count 1
x	x	1	0	Preset
x	x	x	1	Reset

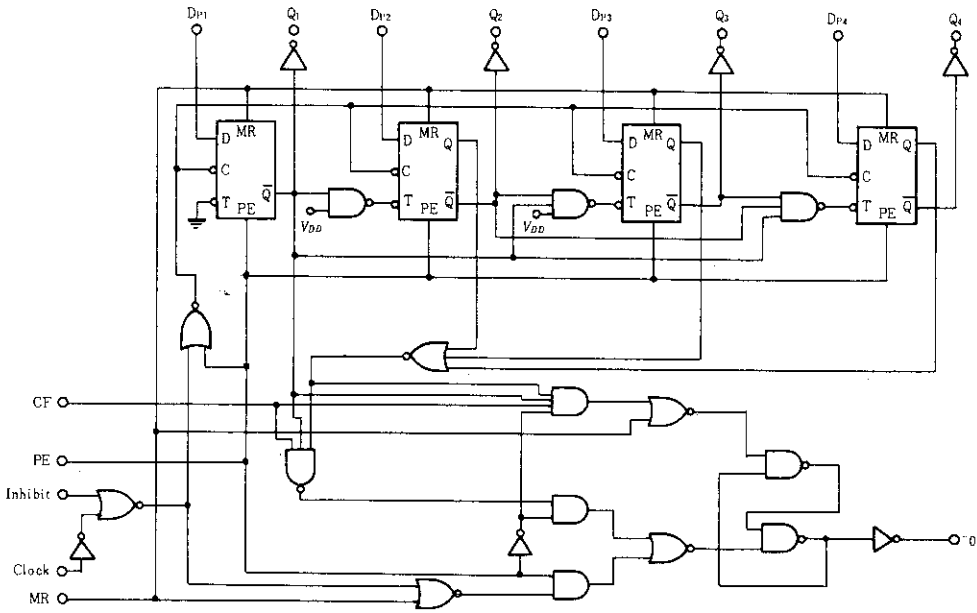
HD14522B

Count	Q4	Q3	Q2	Q1
9	1	0	0	1
8	1	0	0	0
7	0	1	1	1
6	0	1	1	0
5	0	1	0	1
4	0	1	0	0
3	0	0	1	1
2	0	0	1	0
1	0	0	0	1
0	0	0	0	0

HD14526B

Count	Q4	Q3	Q2	Q1
15	1	1	1	1
14	1	1	1	0
13	1	1	0	1
12	1	1	0	0
11	1	0	1	1
10	1	0	1	0
9	1	0	0	1
8	1	0	0	0
7	0	1	1	1
6	0	1	1	0
5	0	1	0	1
4	0	1	0	0
3	0	0	1	1
2	0	0	1	0
1	0	0	0	1
0	0	0	0	0

●HD14526B



■ ELECTRICAL CHARACTERISTICS

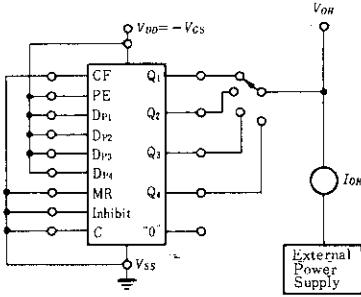
Characteristic	Symbol	V _{DD} (V)	Test Conditions	-40°C		25°C			85°C		Unit
				min	max	min	typ	max	min	max	
Output Voltage	V _{OL}	5.0	V _{iA} = V _{DD} or 0	—	0.05	—	0	0.05	—	0.05	V
		10		—	0.05	—	0	0.05	—	0.05	
		15		—	0.05	—	0	0.05	—	0.05	
	V _{OH}	5.0	V _{iA} = 0 or V _{DD}	4.95	—	4.95	5.0	—	4.95	—	V
		10		9.95	—	9.95	10	—	9.95	—	
		15		14.95	—	14.95	15	—	14.95	—	
Input Voltage	V _{IL}	5.0	V _{ext} = 4.5 or 0.5V	—	1.5	—	2.25	1.5	—	1.5	V
		10	V _{ext} = 9.0 or 1.0V	—	3.0	—	4.50	3.0	—	3.0	
		15	V _{ext} = 13.5 or 1.5V	—	4.0	—	6.75	4.0	—	4.0	
	V _{IH}	5.0	V _{ext} = 0.5 or 4.5V	3.5	—	3.5	2.75	—	3.5	—	V
		10	V _{ext} = 1.0 or 9.0V	7.0	—	7.0	5.50	—	7.0	—	
		15	V _{ext} = 1.5 or 13.5V	11.0	—	11.0	8.25	—	11.0	—	
Output Drive Current	I _{OH}	5.0	V _{OH} = 2.5V	-1.0	—	-0.8	-1.7	—	-0.6	—	mA
		5.0	V _{OH} = 4.6V	-0.2	—	-0.16	-0.36	—	-0.12	—	
		10	V _{OH} = 9.5V	-0.5	—	-0.4	-0.9	—	-0.3	—	
		15	V _{OH} = 13.5V	-1.4	—	-1.2	-3.5	—	-1.0	—	
	I _{OL}	5.0	V _{OL} = 0.4V	0.52	—	0.44	0.88	—	0.36	—	mA
		10	V _{OL} = 0.5V	1.3	—	1.1	2.25	—	0.9	—	
15		V _{OL} = 1.5V	3.6	—	3.0	8.8	—	2.4	—		
Input Current	I _{iA}	15		—	±0.3	—	±0.00001	±0.3	—	±1.0	μA
Input Capacitance	C _{iA}	—	V _{iA} = 0	—	—	—	5.0	7.5	—	—	pF
Quiescent Current	I _{DD}	5.0	Zero Signal, per Package	—	20	—	0.005	20	—	150	μA
		10		—	40	—	0.010	40	—	300	
		15		—	80	—	0.015	80	—	600	
Total Supply Current*	I _T	5.0	Dynamic + I _{DD} , per Gate	—	—	—	1.7	—	—	—	μA
		10		—	—	—	3.4	—	—	—	
		15		—	—	—	5.1	—	—	—	

* To calculate total supply current at frequency other than 1kHz.

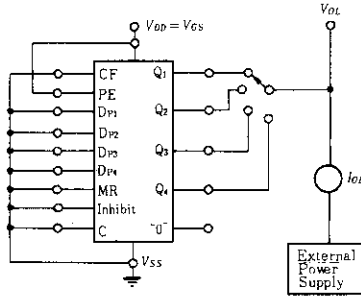
@V_{DD} = 5.0V I_T = (1.7μA/kHz)f + I_{DD}, @V_{DD} = 10V I_T = (3.4μA/kHz)f + I_{DD}, @V_{DD} = 15V I_T = (5.1μA/kHz)f + I_{DD}

■ DC CHARACTERISTIC TEST CIRCUIT

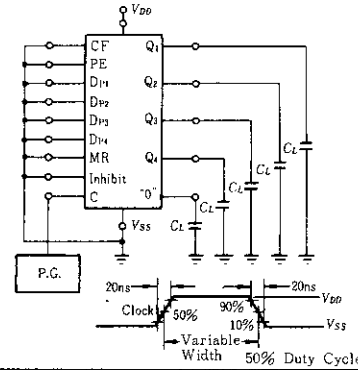
● I_{OH}



● I_{OL}



● POWER DISSIPATION TEST CIRCUIT AND WAVEFORM

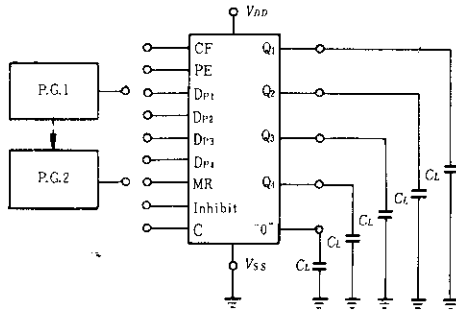


■ SWITCHING CHARACTERISTICS (C_L = 50 pF, T_a = 25 °C)

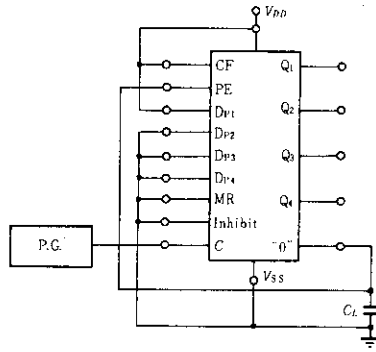
Characteristic		Symbol	V _{DD} (V)	min	typ	max	Unit
Output Rise Time		t _r	5.0	—	180	400	ns
			10	—	90	200	
			15	—	65	160	
Output Fall Time		t _f	5.0	—	100	200	ns
			10	—	50	100	
			15	—	37	80	
Propagation Delay Time	Q Outputs	t _{PLH}	5.0	—	550	1100	ns
			10	—	230	450	
			15	—	160	340	
	"0" Outputs	t _{PHL}	5.0	—	240	500	
			10	—	120	300	
			15	—	90	225	
Clock Pulse Width		PW _C	5.0	300	100	—	ns
			10	150	50	—	
			15	115	40	—	
Clock Frequency		PRF	5.0	—	2.0	1.0	MHz
			10	—	5.0	2.5	
			15	—	6.6	3.0	
Maximum Clock or Inhibit Rise and Fall Time		t _r , t _f	5.0	—	—	15	μs
			10	—	—	15	
			15	—	—	15	
Hold Time		t _{hold}	5.0	150	75	—	ns
			10	75	25	—	
			15	60	20	—	
Minimum Preset Enable Pulse Width		PW _{PE}	5.0	300	100	—	ns
			10	150	50	—	
			15	115	40	—	
Minimum Master Reset Pulse Width		PW _{MR}	5.0	350	200	—	ns
			10	300	100	—	
			15	225	75	—	

■ SWITCHING TIME TEST CIRCUIT

● Test No. 1 ~ 6

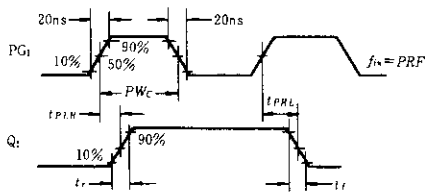


● Test No. 7

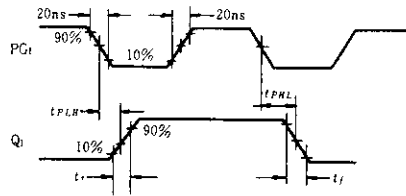


■ AC TEST METHOD AND SWITCHING WAVEFORMS

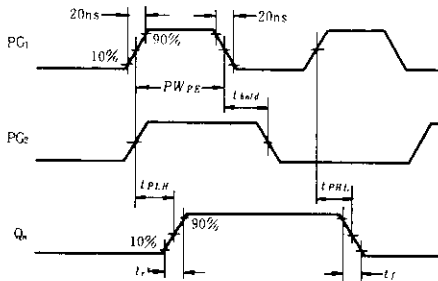
● Test No. 1



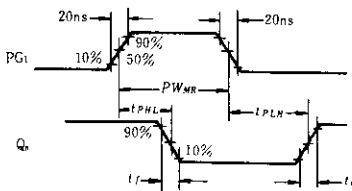
● Test No. 2



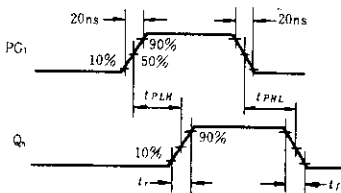
● Test No. 3



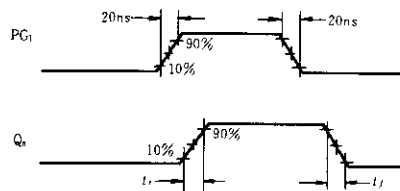
● Test No. 4



● Test No. 5 & 7



● Test No. 6



Characteristic	Test No.	Clock	Inhibit	PE	MR	D _{0n}	CF	Output
<i>t_r</i> , <i>t_f</i> , <i>t_{PLH}</i> , <i>t_{PHL}</i>	1	PG ₁	V _{SS}	V _{SS}	V _{SS}	V _{SS}	V _{SS}	Q ₁
	2	V _{DD}	PG ₁	V _{SS}	V _{SS}	V _{SS}	V _{SS}	Q ₁
	3	V _{SS}	V _{SS}	PG ₁	V _{SS}	PG ₂	V _{SS}	Q _n
	4	V _{SS}	V _{SS}	V _{DD}	PG ₁	V _{DD}	V _{SS}	Q _n
	5	V _{SS}	V _{SS}	V _{DD}	V _{SS}	PG ₁	V _{SS}	Q _n
<i>PW_{MR}</i>	4	V _{SS}	V _{SS}	V _{DD}	PG ₁	V _{DD}	V _{SS}	Q _n
<i>PW_{PE}</i>	3	V _{SS}	V _{SS}	PG ₁	V _{SS}	PG ₂	V _{SS}	Q _n
<i>PW_C</i>	1	PG ₁	V _{SS}	V _{SS}	V _{SS}	V _{SS}	V _{SS}	Q ₁
<i>PRF</i>	1	PG ₁	V _{SS}	V _{SS}	V _{SS}	V _{SS}	V _{SS}	Q ₁
<i>t_{hold}</i>	3	V _{SS}	V _{SS}	PG ₁	V _{SS}	PG ₂	V _{SS}	Q _n
<i>t_r</i> , <i>t_f</i>	6	V _{SS}	V _{SS}	V _{SS}	V _{DD}	V _{SS}	PG ₁	"0"
<i>t_{PLH}</i> , <i>t_{PHL}</i>	7	PG	V _{SS}	See Test Circuit	V _{SS}	See Test Circuit	V _{DD}	"0"



Hitachi Code	DP-16
JEDEC	Conforms
EIAJ	Conforms
Weight (reference value)	1.07 g

Cautions

1. Hitachi neither warrants nor grants licenses of any rights of Hitachi's or any third party's patent, copyright, trademark, or other intellectual property rights for information contained in this document. Hitachi bears no responsibility for problems that may arise with third party's rights, including intellectual property rights, in connection with use of the information contained in this document.
2. Products and product specifications may be subject to change without notice. Confirm that you have received the latest product standards or specifications before final design, purchase or use.
3. Hitachi makes every attempt to ensure that its products are of high quality and reliability. However, contact Hitachi's sales office before using the product in an application that demands especially high quality and reliability or where its failure or malfunction may directly threaten human life or cause risk of bodily injury, such as aerospace, aeronautics, nuclear power, combustion control, transportation, traffic, safety equipment or medical equipment for life support.
4. Design your application so that the product is used within the ranges guaranteed by Hitachi particularly for maximum rating, operating supply voltage range, heat radiation characteristics, installation conditions and other characteristics. Hitachi bears no responsibility for failure or damage when used beyond the guaranteed ranges. Even within the guaranteed ranges, consider normally foreseeable failure rates or failure modes in semiconductor devices and employ systemic measures such as fail-safes, so that the equipment incorporating Hitachi product does not cause bodily injury, fire or other consequential damage due to operation of the Hitachi product.
5. This product is not designed to be radiation resistant.
6. No one is permitted to reproduce or duplicate, in any form, the whole or part of this document without written approval from Hitachi.
7. Contact Hitachi's sales office for any questions regarding this document or Hitachi semiconductor products.

HITACHI

Hitachi, Ltd.

Semiconductor & Integrated Circuits.
Nippon Bldg., 2-6-2, Ohte-machi, Chiyoda-ku, Tokyo 100-0004, Japan
Tel: Tokyo (03) 3270-2111 Fax: (03) 3270-5109

URL North America : <http://semiconductor.hitachi.com/>
 Europe : <http://www.hitachi-eu.com/hel/ecg>
 Asia (Singapore) : <http://www.has.hitachi.com.sg/grp3/sicd/index.htm>
 Asia (Taiwan) : http://www.hitachi.com.tw/E/Product/SICD_Frame.htm
 Asia (HongKong) : <http://www.hitachi.com.hk/eng/bo/grp3/index.htm>
 Japan : <http://www.hitachi.co.jp/Sicd/indx.htm>

For further information write to:

Hitachi Semiconductor
(America) Inc.
179 East Tasman Drive,
San Jose, CA 95134
Tel: <1> (408) 433-1990
Fax: <1> (408) 433-0223

Hitachi Europe GmbH
Electronic components Group
Dornacher Straße 3
D-85622 Feldkirchen, Munich
Germany
Tel: <49> (89) 9 9180-0
Fax: <49> (89) 9 29 30 00

Hitachi Europe Ltd.
Electronic Components Group.
Whitebrook Park
Lower Cookham Road
Maidenhead
Berkshire SL6 8YA, United Kingdom
Tel: <44> (1628) 585000
Fax: <44> (1628) 778322

Hitachi Asia Pte. Ltd.
16 Collyer Quay #20-00
Hitachi Tower
Singapore 049318
Tel: 535-2100
Fax: 535-1533

Hitachi Asia Ltd.
Taipei Branch Office
3F, Hung Kuo Building, No.167,
Tun-Hwa North Road, Taipei (105)
Tel: <886> (2) 2718-3666
Fax: <886> (2) 2718-8180

Hitachi Asia (Hong Kong) Ltd.
Group III (Electronic Components)
7/F., North Tower, World Finance Centre,
Harbour City, Canton Road, Tsim Sha Tsui,
Kowloon, Hong Kong
Tel: <852> (2) 735 9218
Fax: <852> (2) 730 0281
Telex: 40815 HITEC HX

Copyright ' Hitachi, Ltd., 1999. All rights reserved. Printed in Japan.

HITACHI