

February 1996

Features

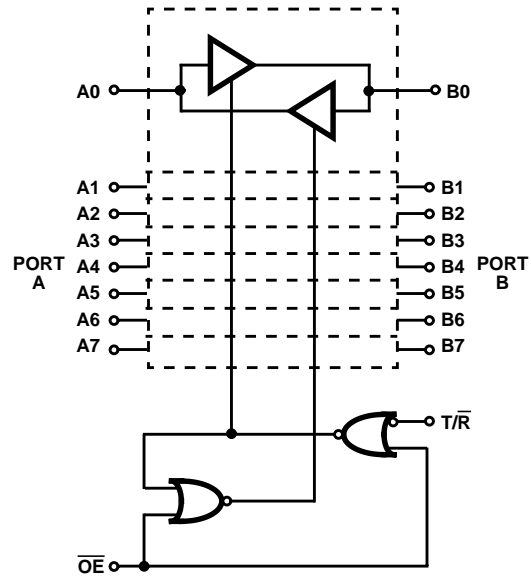
- Devices QML Qualified in Accordance With MIL-PRF-38535
- Detailed Electrical and Screening Requirements are Contained in SMD# 5962-95714 and Intersil' QM Plan
- Radiation Hardened
 - Total Dose 1×10^5 RAD (Si)
 - Latch-Up Immune EPI-CMOS $> 1 \times 10^{12}$ RAD (Si)/s
- Bidirectional Three-State Input/Outputs
- Low Propagation Delay Time
- Low Power Consumption
- Single Power Supply +5V
- Electrically Equivalent to Sandia SA2997
- Military Temperature Range -55°C to $+125^{\circ}\text{C}$

Description

The Intersil HS-82C08RH is a radiation-hardened octal bus transceiver with three-state outputs. It is manufactured using a self-aligned, junction isolated CMOS process and is designed for use with the HS-80C08RH radiation-hardened microprocessor. The HS-82C08RH allows asynchronous two-way communication between data buses. The direction of data flow is determined by the logic level on the transmit/receive (T/\bar{R}) input. A logic high on the T/\bar{R} input specifies data flow from Port A to Port B of the device. Conversely, a logic low on the T/\bar{R} input specifies data flow from Port B to Port A. The Output Enable input disables both ports by placing them in the high impedance state.

The HS-82C08RH is ideally suited for a wide variety of buffering applications in radiation-hardened microcomputer systems.

Functional Diagram



TRUTH TABLE

INPUTS		OPERATION	
OUTPUT ENABLE	TRANSMIT /RECEIVE	PORT A	PORT B
0	0	Out	In
0	1	In	Out
1	X	High Z	High Z

X = Don't Care

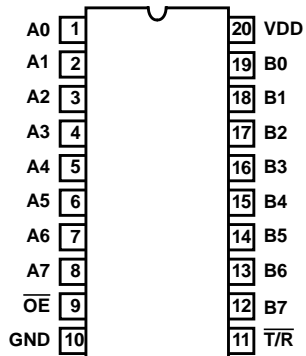
Ordering Information

PART NUMBER	TEMPERATURE RANGE	SCREENING LEVEL	PACKAGE
5962R9571401QRC	-55°C to $+125^{\circ}\text{C}$	MIL-PRF-38535 Level Q	20 Lead SBDIP
5962R9571401QXC	-55°C to $+125^{\circ}\text{C}$	MIL-PRF-38535 Level Q	20 Lead Ceramic Flatpack
5962R9571401VRC	-55°C to $+125^{\circ}\text{C}$	MIL-PRF-38535 Level V	20 Lead SBDIP
5962R9571401VXC	-55°C to $+125^{\circ}\text{C}$	MIL-PRF-38535 Level V	20 Lead Ceramic Flatpack
HS1-82C08RH/SAMPLE	$+25^{\circ}\text{C}$	SAMPLE	20 Lead SBDIP
HS9-82C08RH/SAMPLE	$+25^{\circ}\text{C}$	SAMPLE	20 Lead Ceramic Flatpack

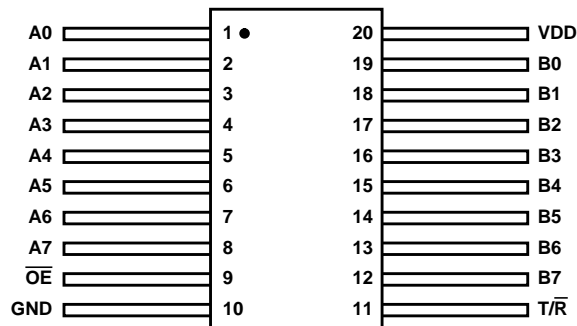
HS-82C08RH

Pinouts

**20 LEAD CERAMIC DUAL-IN-LINE
METAL-SEAL PACKAGE (SBDIP) MIL-STD-1835, CDIP2-T20
TOP VIEW**

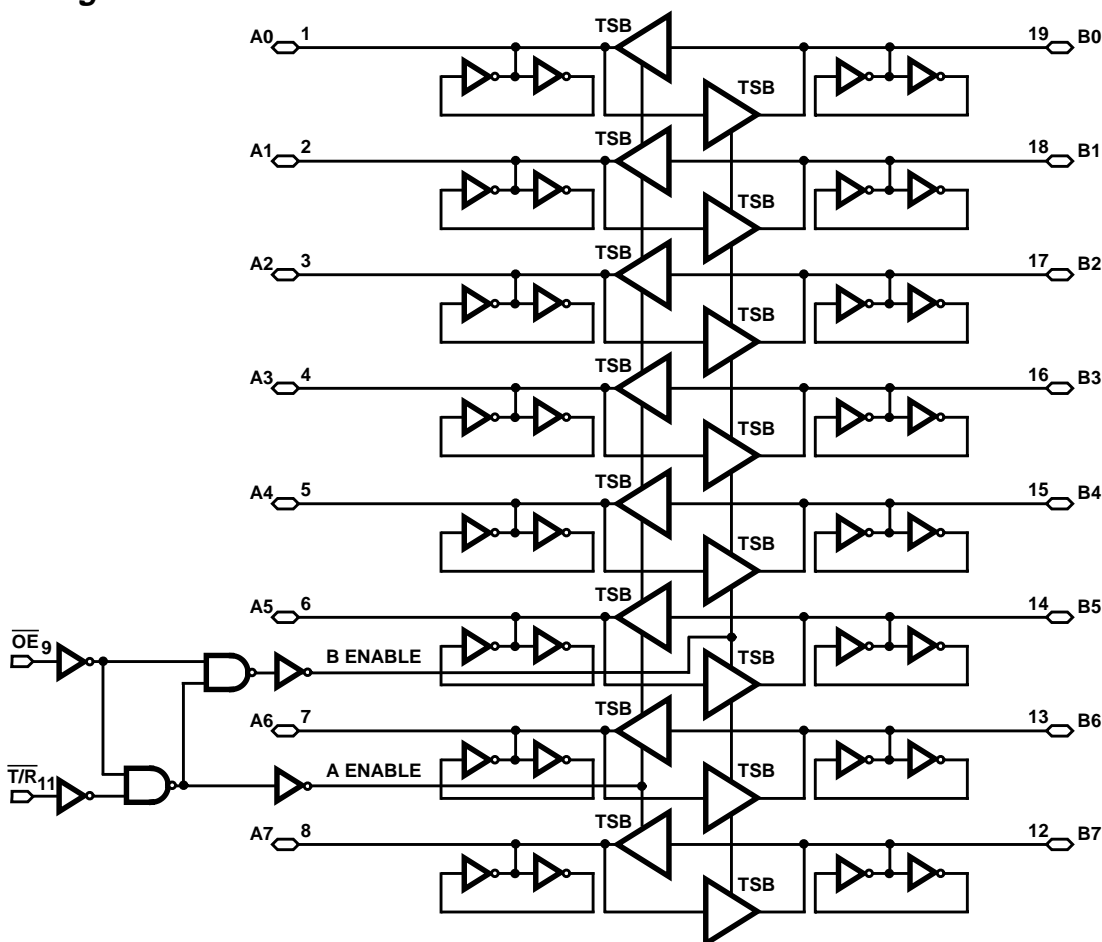


**20 LEAD CERAMIC METAL SEAL
FLATPACK PACKAGE (FLATPACK) MIL-STD-1835, CDFP4-F20
TOP VIEW**



PIN	DESCRIPTION	PIN	DESCRIPTION
A0-A7	Local Bus Data I/O Pins	T/R	Transmit/Receive Input
B0-B7	System Bus Data I/O Pins	OE	Active Low Output Enable

Logic Diagram



NOTE: An important caveat that is applicable to CMOS devices in general is that unused inputs should never be left floating. This rule applies to inputs connected to a three-state bus. The need for external pull-up resistors during three-state bus conditions is eliminated by the presence of regenerative latches on the following HS-82C08RH pins. A0-7 and B0-7. The functional block diagram depicts one of these pins with the regenerative latch. When the CMOS driver assumes the high impedance state, the latch holds the bus in whatever logic state (high or low) it was before the three-state condition. A transient drive current of $\pm 1.5\text{mA}$ at $V_{DD}/2 \pm 0.5\text{V}$ for 10ns is required to switch the latch. Thus, CMOS device inputs connected to the bus are not allowed to float during three-state conditions.

Specifications HS-82C08RH

Absolute Maximum Ratings

Supply Voltage	+7.0V
Input, Output or I/O Voltage	GND-0.3V to VDD+0.3V
Storage Temperature Range	-65°C to +150°C
Junction Temperature	+175°C
Lead Temperature (Soldering 10s)	+300°C
ESD Classification	Class 1

Reliability Information

Thermal Resistance	θ_{JA}	θ_{JC}
20 Lead SBDIP Package	71°C/W	17°C/W
20 Lead Ceramic Flatpack Package	85°C/W	25°C/W
Maximum Package Power Dissipation at +125°C Ambient		
20 Lead SBDIP Package	0.70W	
20 Lead Ceramic Flatpack Package	0.59W	
If device power exceeds package dissipation capability, provide heat sinking or derate linearly at the following rate:		
20 Lead SBDIP Package	14.1mW/C	
20 Lead Ceramic Flatpack Package	11.8mW/C	

CAUTION: Stresses above those listed in "Absolute Maximum Ratings" may cause permanent damage to the device. This is a stress only rating and operation of the device at these or any other conditions above those indicated in the operational sections of this specification is not implied.

Operating Conditions

Operating Voltage Range	+4.75V to +5.25V	Input Low Voltage	0V to +1V
Operating Temperature Range	-55°C to +125°C	Input High Voltage	VDD -1V to VDD

TABLE 1. DC ELECTRICAL PERFORMANCE CHARACTERISTICS

All Devices Guaranteed at Worst Case Limits and Conditions.

PARAMETER	SYMBOL	CONDITIONS	GROUP A SUBGROUPS	TEMPERATURE	LIMITS		UNITS
					MIN	MAX	
Input Leakage Current	IIL	VDD = 5.25V, VIN = VDD Pin Under Test = 0V	1, 2, 3	-55°C, +25°C, +125°C	-1.0	-	μA
	IIH	VDD = 5.25V, VIN = 0V Pin Under Test = 5.25V	1, 2, 3	-55°C, +25°C, +125°C	-	1.0	μA
High Level Output Voltage	VOH	VDD = 4.75V, IOH = -2.0mA	1, 2, 3	-55°C, +25°C, +125°C	4.25	-	V
Low Level Output Voltage	VOL	VDD = 5.25V, IOL = 2.0mA	1, 2, 3	-55°C, +25°C, +125°C	-	0.5	V
Static Current	SIDD	VDD = 5.25V, VIN = GND	1, 2, 3	-55°C, +25°C, +125°C	-	100	μA
Functional Test	FT	VDD = 4.75V to 5.25V VIH = VDD -1.0V, VIL = 1.0V	7, 8A, 8B	-55°C, +25°C, +125°C	-	-	-

TABLE 2. AC ELECTRICAL PERFORMANCE CHARACTERISTICS

PARAMETER	SYMBOL	GROUP A SUBGROUPS	TEMPERATURE	LIMITS		UNITS
				MIN	MAX	
PORT DATA/MODE SPECIFICATIONS						
Propagation Delay to Logical "1" from Port A, B to Port B, A	TPDLH	9, 10, 11	-55°C, +25°C, +125°C	-	65	ns
Propagation Delay to Logical "0" from Port A, B to Port B, A	TPDHL	9, 10, 11	-55°C, +25°C, +125°C	-	80	ns
Propagation Delay from High-Impedance to Logical "1" from T/R to Port	TPRTH	9, 10, 11	-55°C, +25°C, +125°C	-	75	ns
Propagation Delay from High-Impedance to Logical "0" from T/R to Port	TPRTL	9, 10, 11	-55°C, +25°C, +125°C	-	130	ns
Propagation Delay from High-Impedance to Logical "1" from OE to Port	TPZH	9, 10, 11	-55°C, +25°C, +125°C	-	70	ns
Propagation Delay from High-Impedance to Logical "0" from OE to Port	TPZL	9, 10, 11	-55°C, +25°C, +125°C	-	130	ns

Specifications HS-82C08RH

TABLE 3. ELECTRICAL PERFORMANCE CHARACTERISTICS

PARAMETER	SYMBOL	(NOTE) CONDITIONS	TEMPERATURE	LIMITS		UNITS
				MIN	MAX	
In/Out Capacitance	CI/O	VDD = Open, f = 1MHz All Measurements Referenced to GND.	+25°C	-	10	pF
TRANSMIT/RECEIVE MODE SPECIFICATIONS (AC Parameters)						
Propagation Delay from Logical "1" to High-Impedance from T/R to Port	TPHZTR		+25°C	-	35	ns
Propagation Delay from Logical "0" to High-Impedance from T/R to Port	TPLZTR		+25°C	-	35	ns
Propagation Delay from Logical "1" to High-Impedance from OE to Port	TPHZ		+25°C	-	35	ns
Propagation Delay from Logical "0" to High-Impedance from OE to Port	TPLZ		+25°C	-	35	ns

NOTE:

- The parameters listed are controlled via design or process parameters and are not directly tested. These parameters are characterized upon initial design release and upon design changes which could affect these characteristics.

TABLE 4. POST 100K RAD ELECTRICAL PERFORMANCE CHARACTERISTICS

NOTE: The Post Irradiation test conditions and limits are the same as those listed in Table 1 and Table 2.

TABLE 5. BURN-IN DELTA PARAMETERS (+25°C; In Accordance With SMD)

Switching Time Waveforms

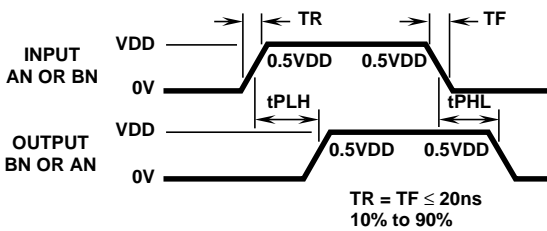
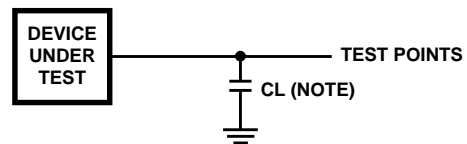


FIGURE 1. PORT TO PORT



NOTE: CL includes stray and jig capacitance.

FIGURE 2. AC TESTING LOAD CIRCUIT

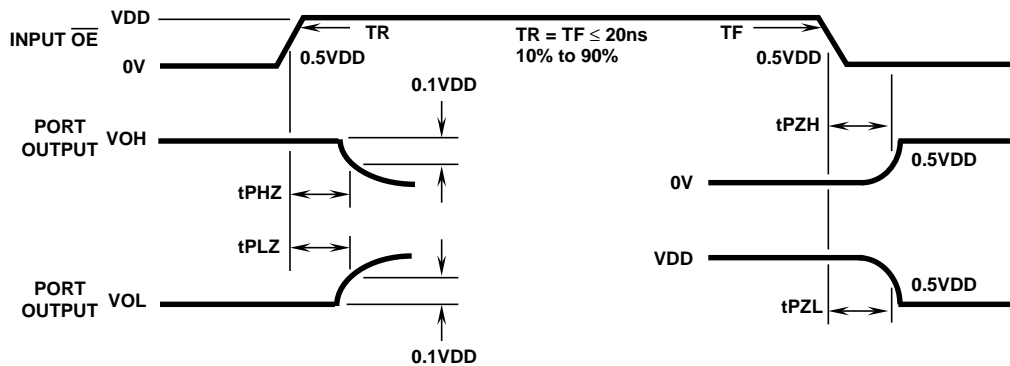


FIGURE 3. OE TO HIGH-IMPEDANCE, OE TO PORT OUTPUT

HS-82C08RH

Metallization Topology

DIE DIMENSIONS:

76.0 mils x 89.4 mils x 14 mils \pm 1 mil

METALLIZATION:

Type: Si - Al

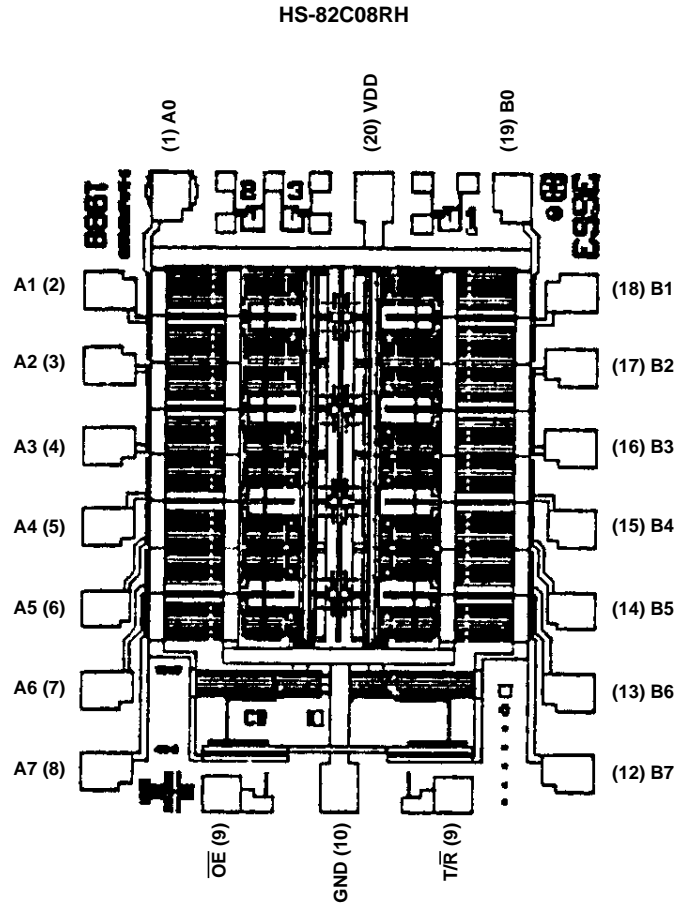
Thickness: $11\text{k}\text{\AA} \pm 2\text{k}\text{\AA}$

GLASSIVATION:

Type: SiO_2

Thickness: $8\text{k}\text{\AA} \pm 1\text{k}\text{\AA}$

Metallization Mask Layout



All Intersil semiconductor products are manufactured, assembled and tested under **ISO9000** quality systems certification.

Intersil products are sold by description only. Intersil Corporation reserves the right to make changes in circuit design and/or specifications at any time without notice. Accordingly, the reader is cautioned to verify that data sheets are current before placing orders. Information furnished by Intersil is believed to be accurate and reliable. However, no responsibility is assumed by Intersil or its subsidiaries for its use; nor for any infringements of patents or other rights of third parties which may result from its use. No license is granted by implication or otherwise under any patent or patent rights of Intersil or its subsidiaries.

For information regarding Intersil Corporation and its products, see web site <http://www.intersil.com>

Sales Office Headquarters

NORTH AMERICA

Intersil Corporation
P. O. Box 883, Mail Stop 53-204
Melbourne, FL 32902
TEL: (407) 724-7000
FAX: (407) 724-7240

EUROPE

Intersil SA
Mercure Center
100, Rue de la Fusee
1130 Brussels, Belgium
TEL: (32) 2.724.2111
FAX: (32) 2.724.22.05

ASIA

Intersil (Taiwan) Ltd.
Taiwan Limited
7F-6, No. 101 Fu Hsing North Road
Taipei, Taiwan
Republic of China
TEL: (886) 2 2716 9310
FAX: (886) 2 2715 3029