

June 1998

Features

- 23A, -100V, $r_{DS(ON)} = 0.140\Omega$
- Second Generation Rad Hard MOSFET Results From New Design Concepts
- Gamma
 - Meets Pre-RAD Specifications to 100K RAD (Si)
 - Defined End Point Specs at 300K RAD (Si) and 1000K RAD (Si)
 - Performance Permits Limited Use to 3000K RAD (Si)
- Gamma Dot
 - Survives 3E9 RAD (Si)/s at 80% V_{DSS} Typically
 - Survives 2E12 Typically If Current Limited to IDM
- Photo Current
 - 7.0nA Per-RAD (Si)/s Typically
- Neutron
 - Pre-RAD Specifications for 3E13 Neutrons/cm²
 - Usable to 3E14 Neutrons/cm²

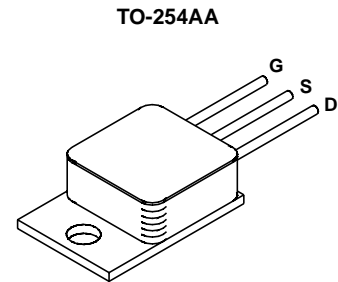
Description

Intersil Corporation has designed a series of SECOND GENERATION hardened power MOSFETs of both N and P channel enhancement types with ratings from 100V to 500V, 1A to 60A, and on resistance as low as 25mΩ. Total dose hardness is offered at 100K RAD (Si) and 1000K RAD (Si) with neutron hardness ranging from 1E13n/cm² for 500V product to 1E14n/cm² for 100V product. Dose rate hardness (GAMMA DOT) exists for rates to 1E9 without current limiting and 2E12 with current limiting.

This MOSFET is an enhancement-mode silicon-gate power field effect transistor of the vertical DMOS (VDMOS) structure. It is specially designed and processed to exhibit minimal characteristic changes to total dose (GAMMA) and neutron (n^0) exposures. Design and processing efforts are also directed to enhance survival to heavy ion (SEE) and/or dose rate (GAMMA DOT) exposure.

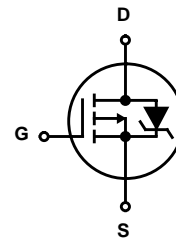
This part may be supplied as a die or in various packages other than shown above. Reliability screening is available as either non TX (commercial), TX equivalent of MIL-S-19500, TXV equivalent of MIL-S-19500, or space equivalent of MIL-S-19500. Contact the Intersil Corporation High-Reliability Marketing group for any desired deviations from the data sheet.

Package



CAUTION: Beryllia Warning per MIL-S-19500 refer to package specifications.

Symbol



Absolute Maximum Ratings $T_C = +25^{\circ}C$, Unless Otherwise Specified

	FRF9150D, R, H	UNITS
Drain-Source Voltage.	V_{DS} -100	V
Drain-Gate Voltage ($R_{GS} = 20k\Omega$).	V_{DGR} -100	V
Continuous Drain Current		
$T_C = +25^{\circ}C$	I_D 23	A
$T_C = +100^{\circ}C$	I_D 15	A
Pulsed Drain Current	I_{DM} 69	A
Gate-Source Voltage	V_{GS} ± 20	V
Maximum Power Dissipation		
$T_C = +25^{\circ}C$	PT 125	W
$T_C = +100^{\circ}C$	PT 50	W
Derated Above $+25^{\circ}C$	1.00	W/ $^{\circ}C$
Inductive Current, Clamped, $L = 100\mu H$, (See Test Figure).	I_{LM} 69	A
Continuous Source Current (Body Diode)	I_S 23	A
Pulsed Source Current (Body Diode)	I_{SM} 69	A
Operating And Storage Temperature	T_{JC}, T_{STG} -55 to +150	$^{\circ}C$
Lead Temperature (During Soldering)		
Distance > 0.063 in. (1.6mm) From Case, 10s Max.	T_L 300	$^{\circ}C$

FRF9150D, FRF9150R, FRF9150H

Pre-Radiation Electrical Specifications $T_C = +25^\circ\text{C}$, Unless Otherwise Specified

PARAMETER	SYMBOL	TEST CONDITIONS	LIMITS		UNITS	
			MIN	MAX		
Drain-Source Breakdown Volts	BV_{DSS}	$V_{GS} = 0, I_D = 1\text{mA}$	-100	-	V	
Gate-Threshold Volts	$V_{GS(TH)}$	$V_{DS} = V_{GS}, I_D = 1\text{mA}$	-2.0	-4.0	V	
Gate-Body Leakage Forward	I_{GSSF}	$V_{GS} = -20\text{V}$	-	100	nA	
Gate-Body Leakage Reverse	I_{GSSR}	$V_{GS} = +20\text{V}$	-	100	nA	
Zero-Gate Voltage Drain Current	I_{DSS1} I_{DSS2} I_{DSS3}	$V_{DS} = -100\text{V}, V_{GS} = 0$	-	1	mA	
		$V_{DS} = -80\text{V}, V_{GS} = 0$	-	0.025		
		$V_{DS} = -80\text{V}, V_{GS} = 0, T_C = +125^\circ\text{C}$	-	0.25		
Rated Avalanche Current	I_{AR}	Time = $20\mu\text{s}$	-	69	A	
Drain-Source On-State Volts	$V_{DS(ON)}$	$V_{GS} = -10\text{V}, I_D = 23\text{A}$	-	-3.38	V	
Drain-Source On Resistance	$r_{DS(ON)}$	$V_{GS} = -10\text{V}, I_D = 15\text{A}$	-	0.140	Ω	
Turn-On Delay Time	$t_{D(ON)}$	$V_{DD} = -50\text{V}, I_D = 23\text{A}$ Pulse Width = $3\mu\text{s}$ Period = $300\mu\text{s}, R_G = 25\Omega$ $0 \leq V_{GS} \leq 10$ (See Test Circuit)	-	170	ns	
Rise Time	t_R		-	620		
Turn-Off Delay Time	$t_{D(OFF)}$		-	600		
Fall Time	t_F		-	242		
Gate-Charge Threshold	$Q_{G(TH)}$	$V_{DD} = -50\text{V}, I_D = 23\text{A}$ $I_{GS1} = I_{GS2}$ $0 \leq V_{GS} \leq 20$	4	16	nc	
Gate-Charge On State	$Q_{G(ON)}$		60	240		
Gate-Charge Total	Q_{GM}		126	504		
Plateau Voltage	V_{GP}		3	14		V
Gate-Charge Source	Q_{GS}		17	68		nc
Gate-Charge Drain	Q_{GD}		21	86		
Diode Forward Voltage	V_{SD}	$I_D = 23\text{A}, V_{GD} = 0$	-0.6	-1.8	V	
Reverse Recovery Time	t_T	$I = 23\text{A}; di/dt = 100\text{A}/\mu\text{s}$	-	700	ns	
Junction-To-Case	$R_{\theta JC}$		-	1.0	$^\circ\text{C}/\text{W}$	
Junction-To-Ambient	$R_{\theta JA}$	Free Air Operation	-	48		

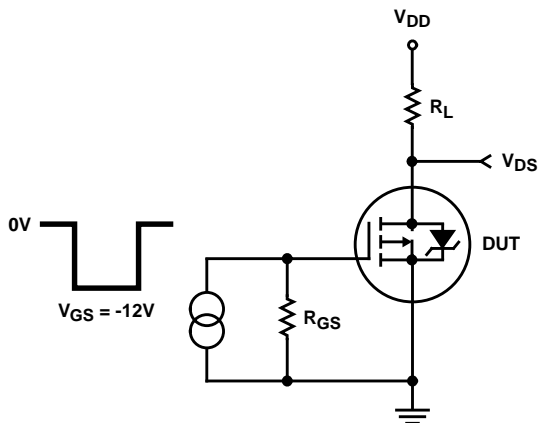


FIGURE 1. RESISTIVE SWITCHING TEST CIRCUIT

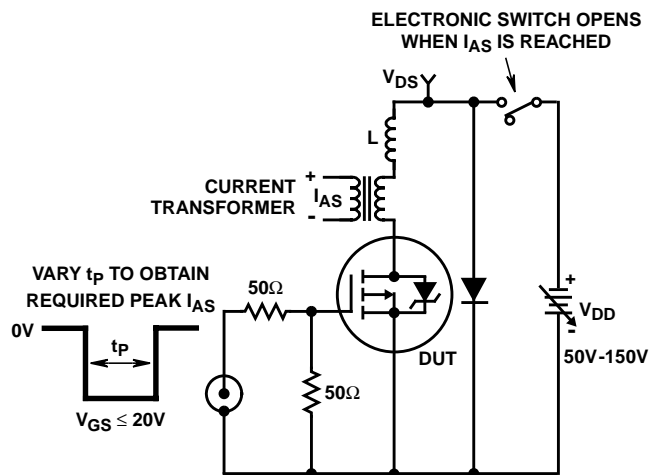


FIGURE 2. UNCLAMPED ENERGY TEST CIRCUIT

FRF9150D, FRF9150R, FRF9150H

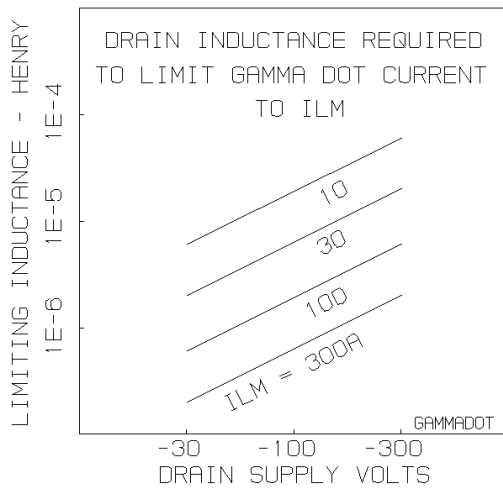
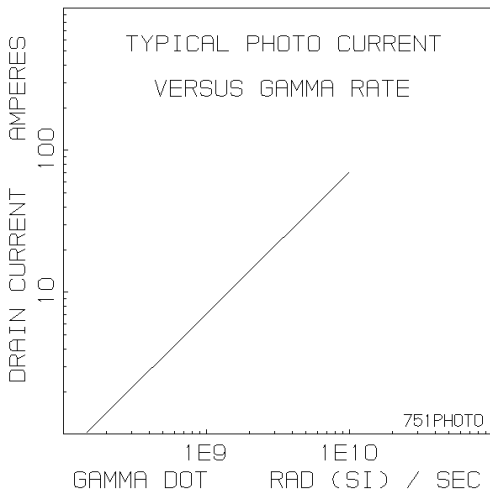
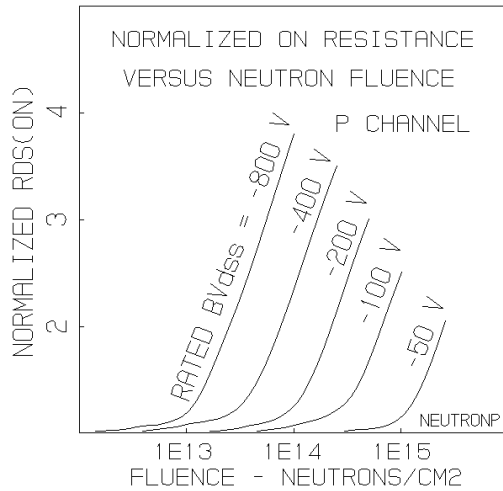
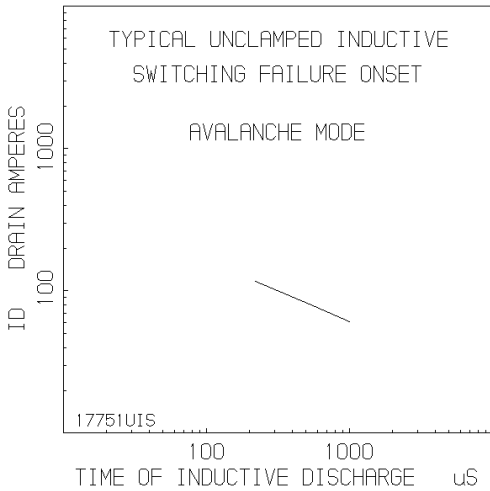
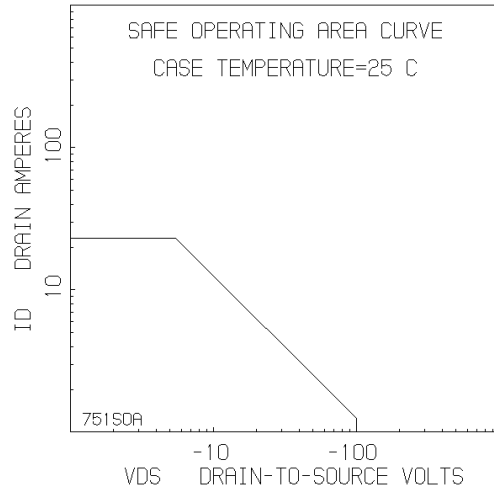
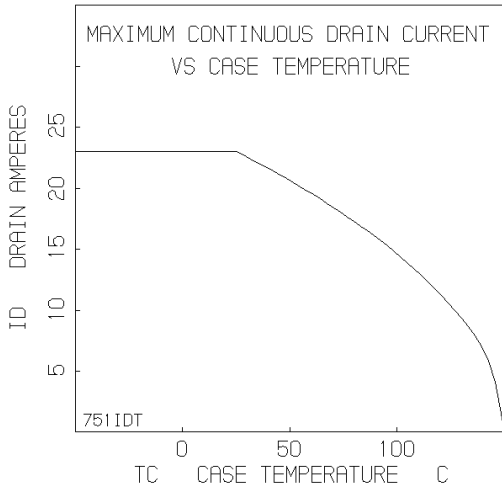
Post-Radiation Electrical Specifications $T_C = +25^\circ\text{C}$, Unless Otherwise Specified

PARAMETER	SYMBOL	TYPE	TEST CONDITIONS	LIMITS		UNITS	
				MIN	MAX		
Drain-Source Breakdown Volts	(Notes 4, 6)	BV_{DSS}	FRF9150D, R	$V_{GS} = 0, I_D = 1\text{mA}$	-100	-	V
	(Notes 5, 6)	BV_{DSS}	FRF9150H	$V_{GS} = 0, I_D = 1\text{mA}$	-95	-	V
Gate-Source Threshold Volts	(Notes 4, 6)	$V_{GS(TH)}$	FRF9150D, R	$V_{GS} = V_{DS}, I_D = 1\text{mA}$	-2.0	-4.0	V
	(Notes 3, 5, 6)	$V_{GS(TH)}$	FRF9150H	$V_{GS} = V_{DS}, I_D = 1\text{mA}$	-2.0	-6.0	V
Gate-Body Leakage Forward	(Notes 4, 6)	I_{GSSF}	FRF9150D, R	$V_{GS} = -20\text{V}, V_{DS} = 0$	-	100	nA
	(Notes 5, 6)	I_{GSSF}	FRF9150H	$V_{GS} = -20\text{V}, V_{DS} = 0$	-	200	nA
Gate-Body Leakage Reverse	(Notes 2, 4, 6)	I_{GSSR}	FRF9150D, R	$V_{GS} = 20\text{V}, V_{DS} = 0$	-	100	nA
	(Notes 2, 5, 6)	I_{GSSR}	FRF9150H	$V_{GS} = 20\text{V}, V_{DS} = 0$	-	200	nA
Zero-Gate Voltage Drain Current	(Notes 4, 6)	I_{DSS}	FRF9150D, R	$V_{GS} = 0, V_{DS} = -80\text{V}$	-	25	μA
	(Notes 5, 6)	I_{DSS}	FRF9150H	$V_{GS} = 0, V_{DS} = -80\text{V}$	-	100	μA
Drain-Source On-State Volts	(Notes 1, 4, 6)	$V_{DS(ON)}$	FRF9150D, R	$V_{GS} = -10\text{V}, I_D = 23\text{A}$	-	-3.38	V
	(Notes 1, 5, 6)	$V_{DS(ON)}$	FRF9150H	$V_{GS} = -16\text{V}, I_D = 23\text{A}$	-	-5.07	V
Drain-Source On Resistance	(Notes 1, 4, 6)	$r_{DS(ON)}$	FRF9150D, R	$V_{GS} = -10\text{V}, I_D = 15\text{A}$	-	0.140	Ω
	(Notes 1, 5, 6)	$r_{DS(ON)}$	FRF9150H	$V_{GS} = -14\text{V}, I_D = 15\text{A}$	-	0.210	Ω

NOTES:

1. Pulse test, 300 μs (Max)
2. Absolute value
3. Gamma = 300K RAD (Si)
4. Gamma = 10K RAD (Si) for "D", 100K RAD (Si) for "R". Neutron = 3E13
5. Gamma = 1000K RAD (Si). Neutron = 3E13
6. In situ Gamma bias must be sampled for both $V_{GS} = -10\text{V}, V_{DS} = 0\text{V}$ and $V_{GS} = 0\text{V}, V_{DS} = 80\% BV_{DSS}$
7. Gamma data taken 1/18/91 on TA 17751 devices by GE ASTRO SPACE; EMC/SURVIVABILITY LABORATORY; KING OF PRUSSIA, PA 19401
8. Single event drain burnout testing by Titus, J.L., et al of NWSC, Crane, IN at Brookhaven Nat. Lab. Dec 11-14, 1989
9. Neutron derivation, INTERSIL Application note AN-8831, Oct. 1988

Typical Performance Characteristics



Rad Hard Data Packages - Intersil Power Transistors

TXV Equivalent

1. Rad Hard TXV Equivalent - Standard Data Package

- A. Certificate of Compliance
- B. Assembly Flow Chart
- C. Preconditioning - Attributes Data Sheet
- D. Group A - Attributes Data Sheet
- E. Group B - Attributes Data Sheet
- F. Group C - Attributes Data Sheet
- G. Group D - Attributes Data Sheet

2. Rad Hard TXV Equivalent - Optional Data Package

- A. Certificate of Compliance
- B. Assembly Flow Chart
- C. Preconditioning - Attributes Data Sheet
 - Precondition Lot Traveler
 - Pre and Post Burn-In Read and Record Data
- D. Group A - Attributes Data Sheet
 - Group A Lot Traveler
- E. Group B - Attributes Data Sheet
 - Group B Lot Traveler
 - Pre and Post Read and Record Data for Intermittent Operating Life (Subgroup B3)
 - Bond Strength Data (Subgroup B3)
 - Pre and Post High Temperature Operating Life Read and Record Data (Subgroup B6)
- F. Group C - Attributes Data Sheet
 - Group C Lot Traveler
 - Pre and Post Read and Record Data for Intermittent Operating Life (Subgroup C6)
 - Bond Strength Data (Subgroup C6)
- G. Group D - Attributes Data Sheet
 - Group D Lot Traveler
 - Pre and Post RAD Read and Record Data

Class S - Equivalents

1. Rad Hard "S" Equivalent - Standard Data Package

- A. Certificate of Compliance
- B. Serialization Records
- C. Assembly Flow Chart
- D. SEM Photos and Report

- E. Preconditioning Attributes Data Sheet
 - Hi-Rel Lot Traveler
 - HTRB - Hi Temp Gate Stress Post Reverse Bias Data and Delta Data
 - HTRB - Hi Temp Drain Stress Post Reverse Bias Delta Data

- F. Group A - Attributes Data Sheet
- G. Group B - Attributes Data Sheet
- H. Group C - Attributes Data Sheet
- I. Group D - Attributes Data Sheet

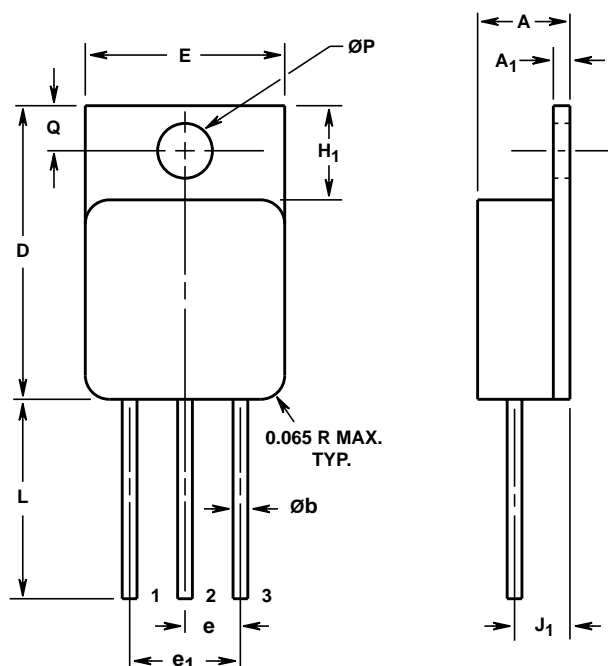
2. Rad Hard Max. "S" Equivalent - Optional Data Package

- A. Certificate of Compliance
- B. Serialization Records
- C. Assembly Flow Chart
- D. SEM Photos and Report
- E. Preconditioning - Attributes Data Sheet
 - Hi-Rel Lot Traveler
 - HTRB - Hi Temp Gate Stress Post Reverse Bias Data and Delta Data
 - HTRB - Hi Temp Drain Stress Post Reverse Bias Delta Data
 - X-Ray and X-Ray Report
- F. Group A - Attributes Data Sheet
 - Hi-Rel Lot Traveler
 - Subgroups A2, A3, A4, A5 and A7 Data
- G. Group B - Attributes Data Sheet
 - Hi-Rel Lot Traveler
 - Subgroups B1, B3, B4, B5 and B6 Data
- H. Group C - Attributes Data Sheet
 - Hi-Rel Lot Traveler
 - Subgroups C1, C2, C3 and C6 Data
- I. Group D - Attributes Data Sheet
 - Hi-Rel Lot Traveler
 - Pre and Post Radiation Data

FRF9150D, FRF9150R, FRF9150H

TO-254AA

3 LEAD JEDEC TO-254AA HERMETIC METAL PACKAGE



SYMBOL	INCHES		MILLIMETERS		NOTES
	MIN	MAX	MIN	MAX	
A	0.249	0.260	6.33	6.60	-
A ₁	0.040	0.050	1.02	1.27	-
Øb	0.035	0.045	0.89	1.14	2, 3
D	0.790	0.800	20.07	20.32	-
E	0.535	0.545	13.59	13.84	-
e	0.150 TYP		3.81 TYP		4
e ₁	0.300 BSC		7.62 BSC		4
H ₁	0.245	0.265	6.23	6.73	-
J ₁	0.140	0.160	3.56	4.06	4
L	0.520	0.560	13.21	14.22	-
ØP	0.139	0.149	3.54	3.78	-
Q	0.110	0.130	2.80	3.30	-

NOTES:

1. These dimensions are within allowable dimensions of Rev. A of JEDEC outline TO-254AA dated 11-86.
2. Add typically 0.002 inches (0.05mm) for solder coating.
3. Lead dimension (without solder).
4. Position of lead to be measured 0.250 inches (6.35mm) from bottom of dimension D.
5. Die to base BeO isolated, terminals to case ceramic isolated.
6. Controlling dimension: Inch.
7. Revision 1 dated 1-93.

WARNING!

BERYLLIA WARNING PER MIL-S-19500

Packages containing beryllium oxide (BeO) shall not be ground, machined, sandblasted, or subject to any mechanical operation which will produce dust containing any beryllium compound. Packages containing any beryllium compound shall not be subjected to any chemical process (etching, etc.) which will produce fumes containing beryllium or its' compounds.

All Intersil semiconductor products are manufactured, assembled and tested under **ISO9000** quality systems certification.

Intersil products are sold by description only. Intersil Corporation reserves the right to make changes in circuit design and/or specifications at any time without notice. Accordingly, the reader is cautioned to verify that data sheets are current before placing orders. Information furnished by Intersil is believed to be accurate and reliable. However, no responsibility is assumed by Intersil or its subsidiaries for its use; nor for any infringements of patents or other rights of third parties which may result from its use. No license is granted by implication or otherwise under any patent or patent rights of Intersil or its subsidiaries.

For information regarding Intersil Corporation and its products, see web site <http://www.intersil.com>

Sales Office Headquarters

NORTH AMERICA

Intersil Corporation
P. O. Box 883, Mail Stop 53-204
Melbourne, FL 32902
TEL: (407) 724-7000
FAX: (407) 724-7240

EUROPE

Intersil SA
Mercure Center
100, Rue de la Fusee
1130 Brussels, Belgium
TEL: (32) 2.724.2111
FAX: (32) 2.724.22.05

ASIA

Intersil (Taiwan) Ltd.
Taiwan Limited
7F-6, No. 101 Fu Hsing North Road
Taipei, Taiwan
Republic of China
TEL: (886) 2 2716 9310
FAX: (886) 2 2715 3029