

Triple 8-Bit, 40 MSPS, RGB, 3-Channel D/A Converter

March 1998

Features

- ResolutionTriple 8-Bit
- Maximum Conversion Speed 40MHz
- RGB 3-Channel Input/Output
- Differential Linearity Error +0.3 LSB
- Low Power Consumption240mW
(200Ω Load for 2V_{P-P} Output)
- Single Power Supply+5V
- Low Glitch Noise
- Direct Replacement for Sony CXD1178

Applications

- Digital TV
- Graphics Display
- High Resolution Color Graphics
- Video Reconstruction
- Instrumentation
- Image Processing
- I/Q Modulation

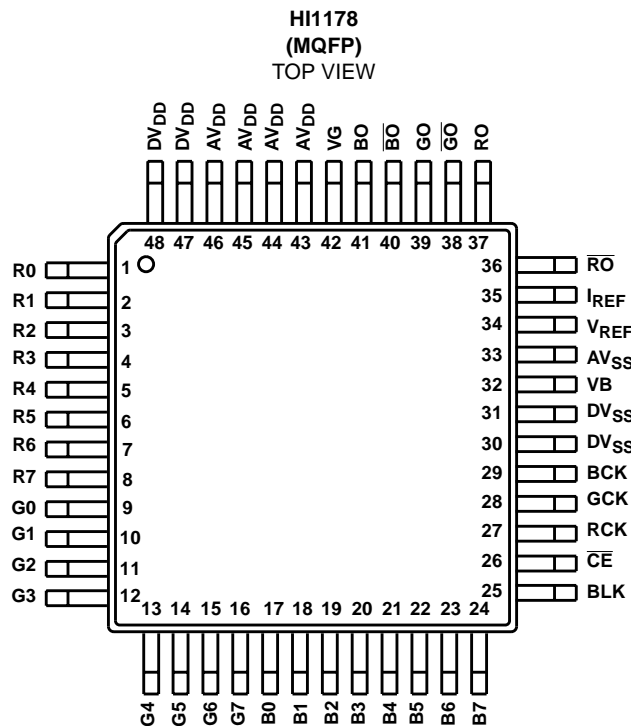
Description

The HI1178 is a triple 8-bit, high-speed, CMOS D/A converter designed for video band use. It has three separate, 8-bit, pixel inputs, one each for red, green, and blue video data. A single 5.0V power supply and pixel clock input is all that is required to make the device operational. A bias voltage generator is internal. Each channel clock input can be controlled individually, or connected together as one. The HI1178 also has BLANK video control signal. Refer to the HI2304 for 3.3V operation.

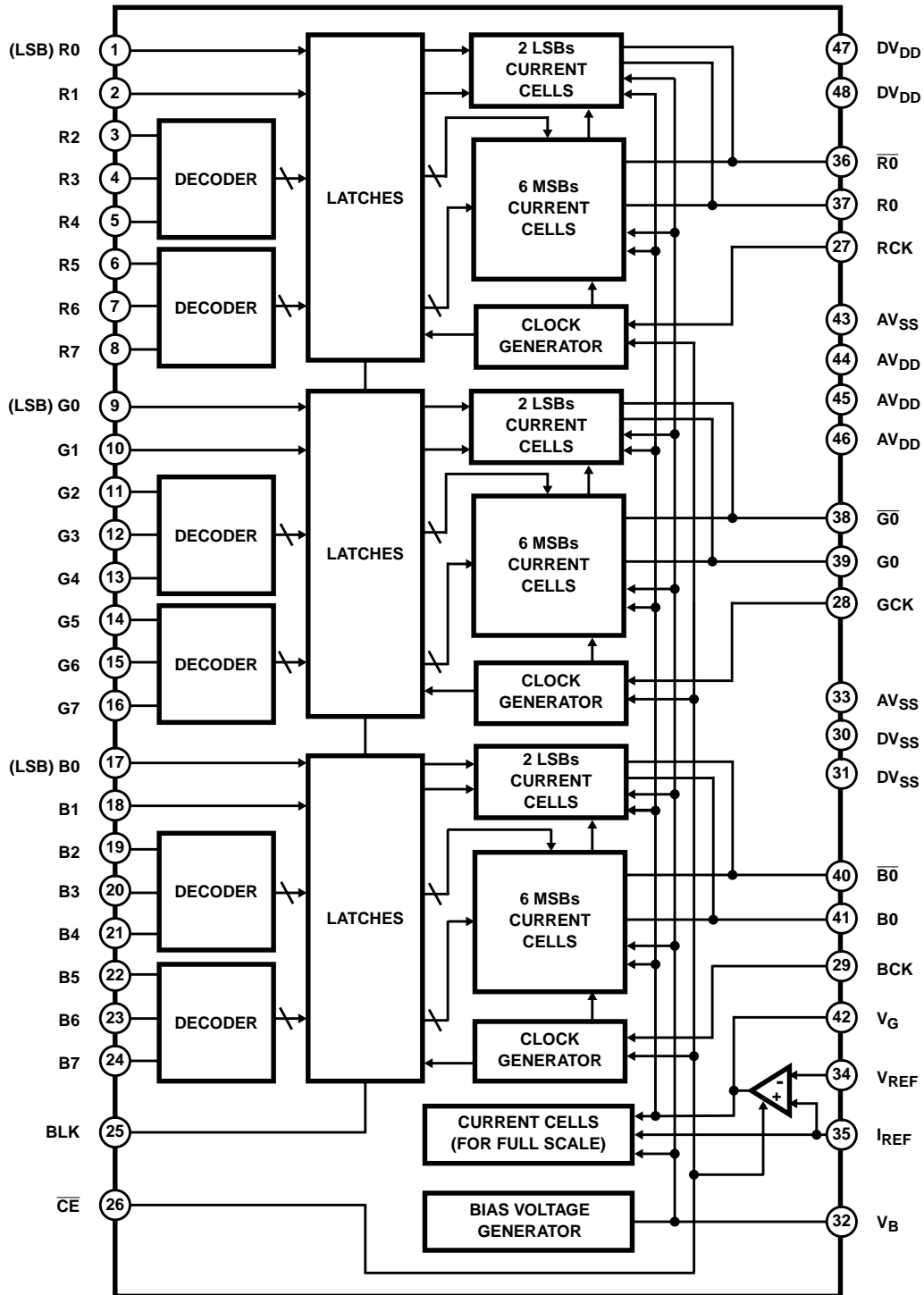
Ordering Information

PART NUMBER	TEMP. RANGE (°C)	PACKAGE	PKG. NO.
HI1178JCQ	-40 to 85	48 Ld MQFP	Q48.12x12-S

Pinout



Functional Block Diagram



Pin Descriptions

PIN NO.	SYMBOL	EQUIVALENT CIRCUIT	DESCRIPTION
1 to 8	R0 to R7		Digital input.
9 to 16	G0 to G7		
17 to 24	B0 to B7		
25	BLK		Blanking pin. No signal at "H" (Output 0V). Output condition at "L".
32	V _B		Connect a capacitor of about 0.1μF.
27	RCK		Clock pin. Moreover all input pins are TTL-CMOS compatible.
28	CLK		
29	BCK		
30, 31	DV _{SS}		Digital GND.
33	AV _{SS}		Analog GND.
26	\overline{CE}		Chip enable pin. No signal (Output 0V) at "H" and minimizes power consumption.

Pin Descriptions (Continued)

PIN NO.	SYMBOL	EQUIVALENT CIRCUIT	DESCRIPTION
35	I_{REF}		Connect a resistance 16 times "16R" that of output resistance value "R".
34	V_{REF}		Set full scale output value.
42	V_G		Connect a capacitor of about 0.1 μ F.
43 to 46	AV_{DD}		Analog V_{DD} .
37	RO		Current output pin. Voltage output can be obtained by connecting a resistance.
39	GO		Inverted current output pin. Normally dropped to analog GND.
41	BO		
36	\overline{RO}		
38	\overline{GO}		
40	\overline{BO}		
47, 48	DV_{DD}		Digital V_{DD} .

HI1178

Absolute Maximum Ratings $T_A = 25^\circ\text{C}$

Supply Voltage (V_{DD}) 7V
 Input Voltage (V_{IN}) V_{DD} to V_{SS}
 Output Current (I_{OUT}) V_{DD} to V_{SS}
 Digital Input Voltage (CLK) 0mA to 15mA
 (Every Each Channel)

Operating Conditions

Temperature Range (T_{OPR}) -40°C to 85°C
 Supply Voltage
 AV_{DD} , AV_{SS} 4.75V to 5.25V
 DV_{DD} , DV_{SS} 4.75V to 5.25V
 Reference Input Voltage (V_{REF}) 2V
 Clock Pulse Width
 t_{PW1} 12.5ns (Min)
 t_{PW0} 12.5ns (Min)

Thermal Information

Thermal Resistance (Typical, Note 1) θ_{JA} ($^\circ\text{C}/\text{W}$)
 MQFP Package 94
 Maximum Junction Temperature (Plastic Package) 150°C
 Maximum Storage Temperature Range (T_{STG}) -65°C to 150°C
 Maximum Lead Temperature (Soldering 10s) 300°C
 (Lead Tips Only)

CAUTION: Stresses above those listed in "Absolute Maximum Ratings" may cause permanent damage to the device. This is a stress only rating and operation of the device at these or any other conditions above those indicated in the operational sections of this specification is not implied.

NOTE:

- θ_{JA} is measured with the component mounted on an evaluation PC board in free air.

Electrical Specifications $f_{CLK} = 40\text{MHz}$, $V_{DD} = 5\text{V}$, $R_{OUT} = 200\Omega$, $V_{REF} = 2.0\text{V}$, $T_A = 25^\circ\text{C}$

PARAMETER	SYMBOL	TEST CONDITIONS	MIN	TYP	MAX	UNITS
Resolution	n		-	8	-	bit
Maximum Conversion Speed	f_{MAX}		40	-	-	MSPS
Linearity Error	E_L		-2.5	-	2.5	LSB
Differential Linearity Error	E_D		-0.3	-	0.3	LSB
Full Scale Output Voltage	V_{FS}		1.8	2.0	2.2	V
Full Scale Output Ratio (Note 1)	F_{SR}		0	1.5	3	%
Full Scale Output Current	I_{FS}		-	10	15	mA
Offset Output Voltage	V_{OS}		-	-	1	mV
Power Supply Current	I_{DD}	14.3MHz, at Color Bar Data Input	-	-	48	mA
Digital Input Current	H Level	I_{IH}	-	-	5	μA
	L Level	I_{IL}	-5	-	-	μA
Set Up Time	t_S		5	-	-	ns
Hold Time	t_H		10	-	-	ns
Propagation Delay Time	t_{PD}		-	10	-	ns
Glitch Energy	GE	$R_{OUT} = 75\Omega$	-	30	-	pV/s
Crosstalk	CT	1MHz Sin Wave Output	-	57	-	dB

NOTE:

- Full scale output ratio = $\left| \frac{\text{Full Scale Voltage of Channel}}{\text{Average of the Full Scale Voltage of the Channels}} - 1 \right| \times 100(\%)$

I/O Chart (When Full Scale Output Voltage at 2.00V)

INPUT CODE								OUTPUT CODE
MSB							LSB	
1	1	1	1	1	1	1	1	2.0V
1	0	0	0	0	0	0	0	1.0V
0	0	0	0	0	0	0	0	0V

Timing Diagram

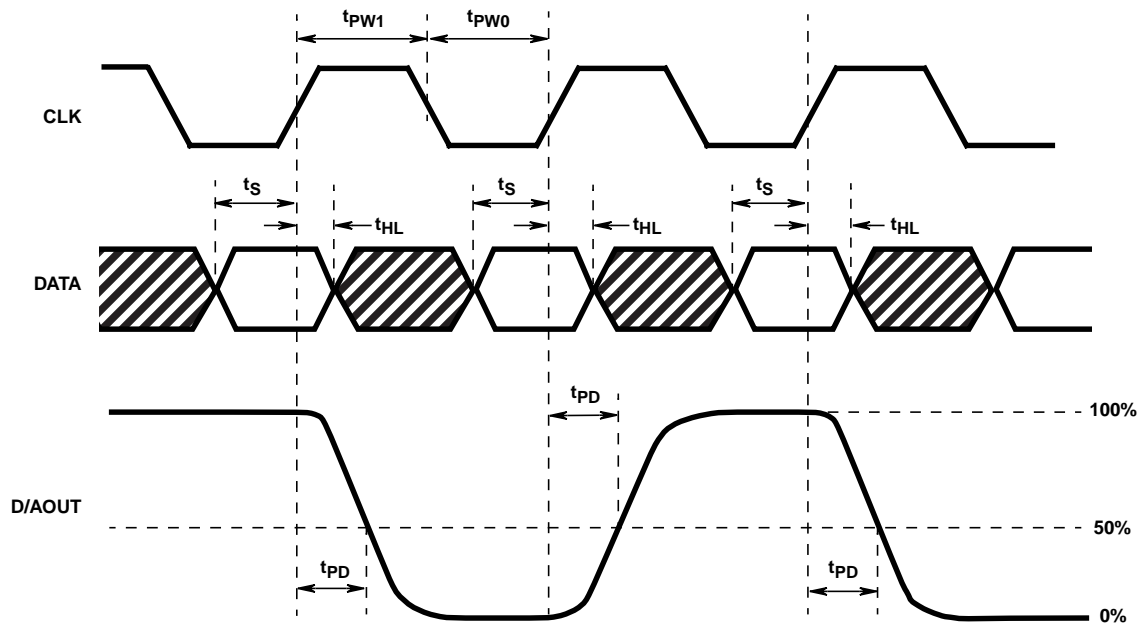


FIGURE 1.

Test Circuits

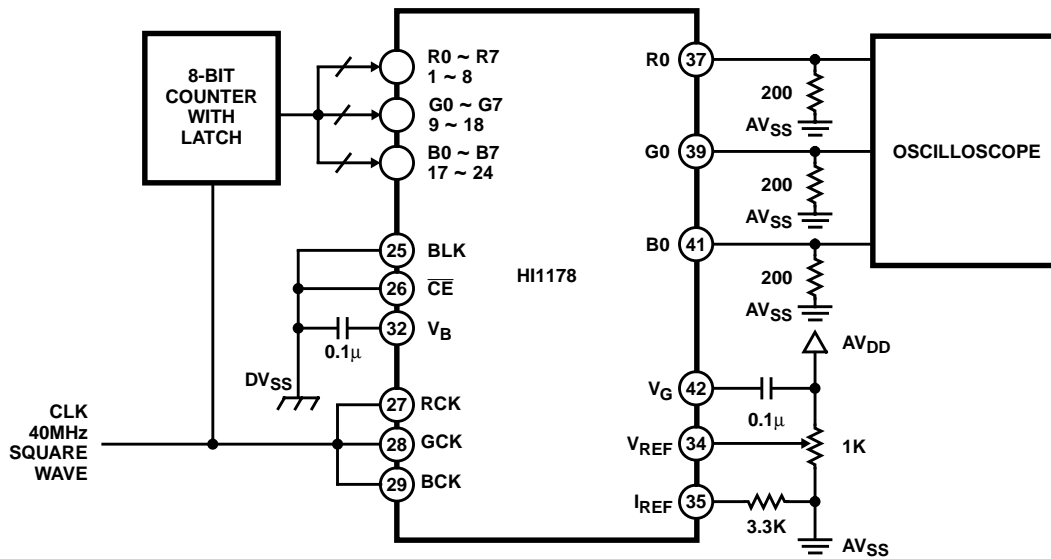


FIGURE 2. MAXIMUM CONVERSION RATE TEST CIRCUIT

Test Circuits (Continued)

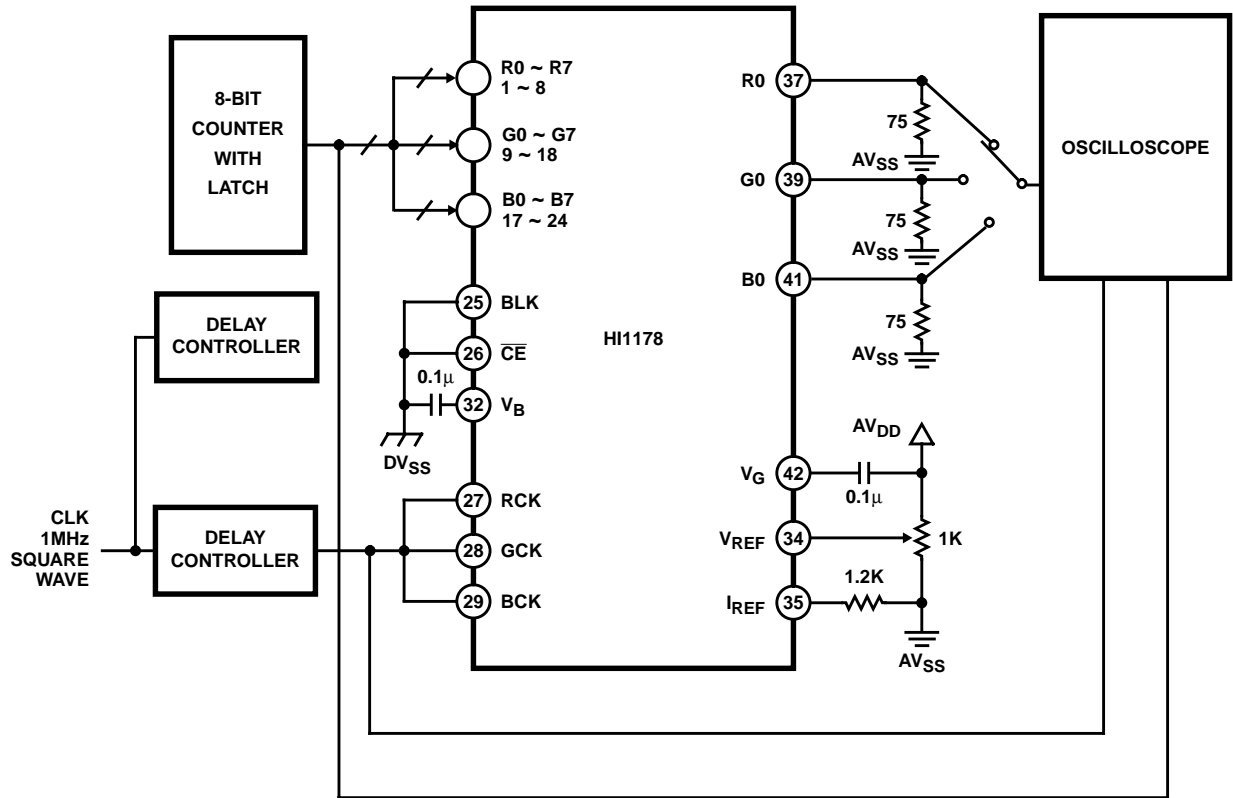


FIGURE 3. SETUP HOLD TIME AND GLITCH ENERGY TEST CIRCUIT

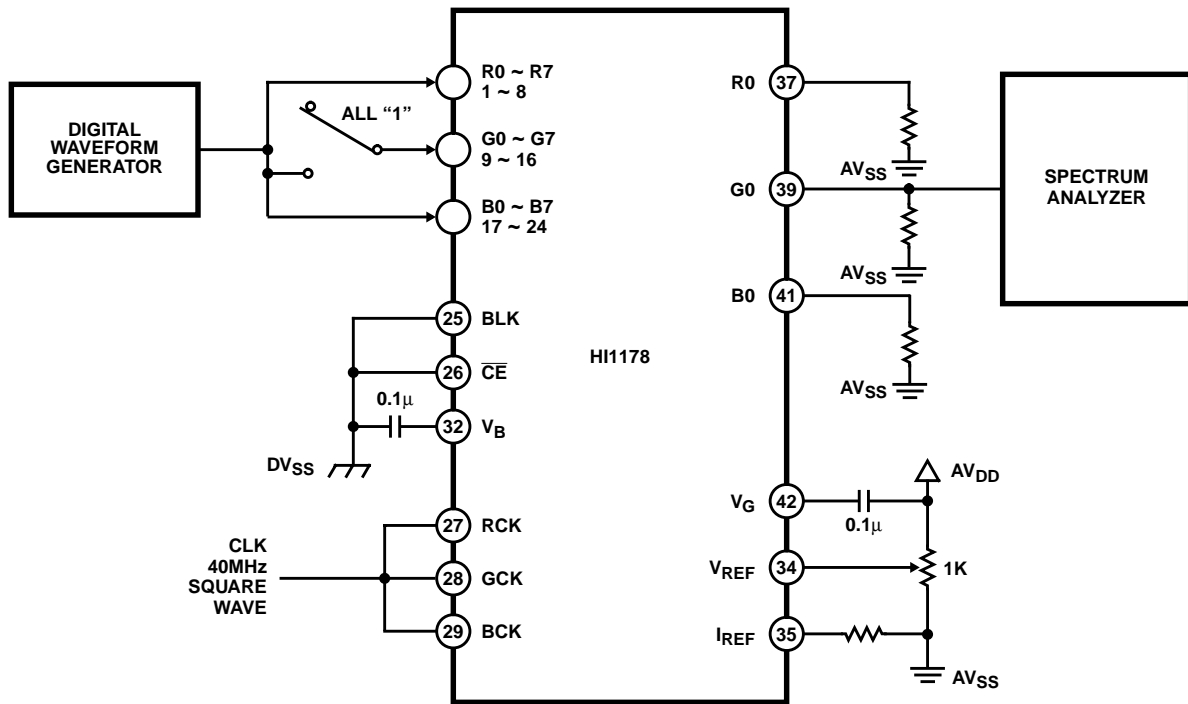


FIGURE 4. CROSSTALK TEST CIRCUIT

Test Circuits (Continued)

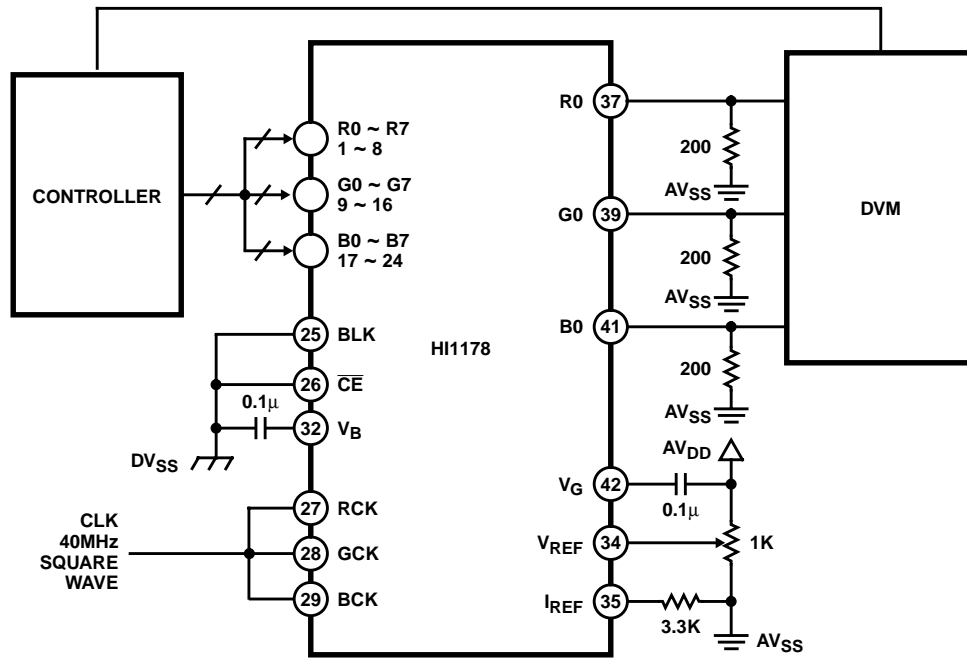


FIGURE 5. DC CHARACTERISTICS TEST CIRCUIT

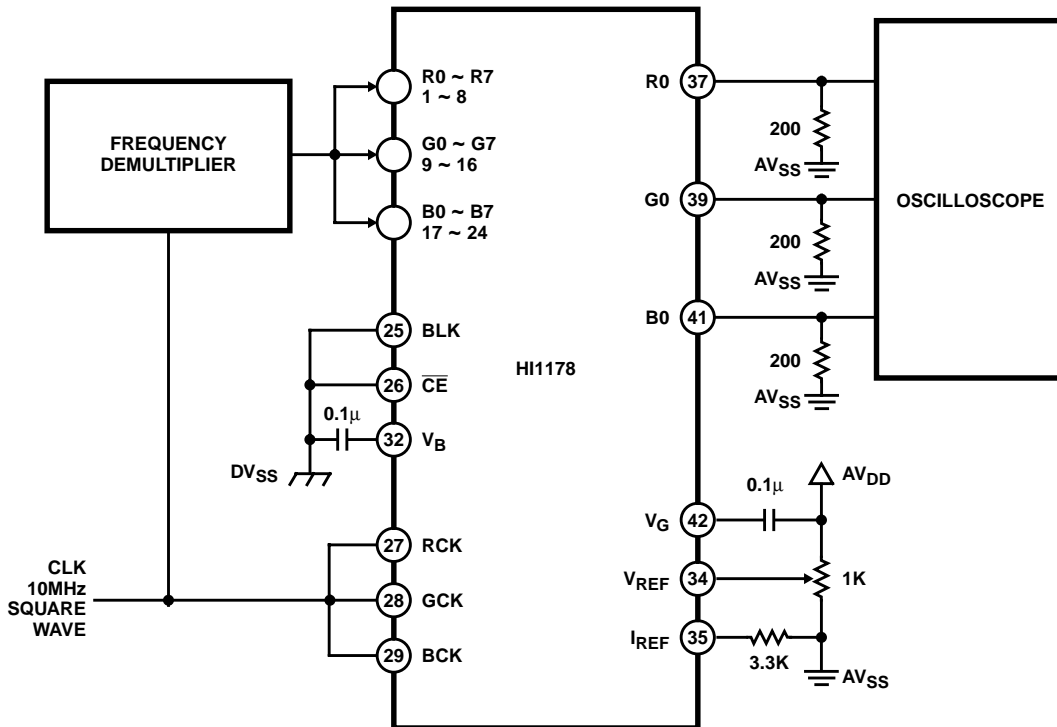


FIGURE 6. PROPAGATION DELAY TIME TEST CIRCUIT

Typical Performance Curves

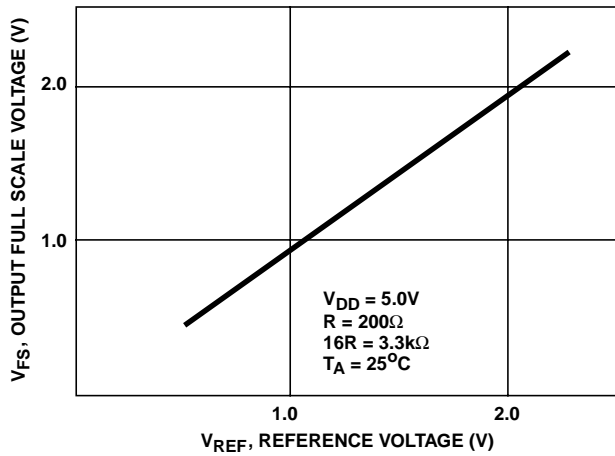


FIGURE 7. OUTPUT FULL SCALE VOLTAGE vs REFERENCE VOLTAGE

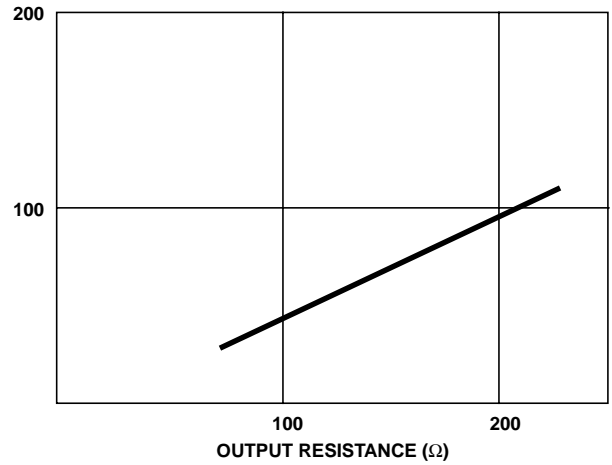


FIGURE 8. GLITCH ENERGY vs OUTPUT RESISTANCE

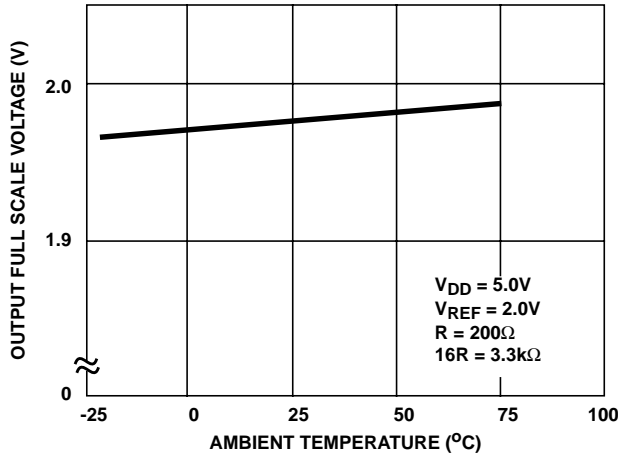


FIGURE 9. OUTPUT FULL SCALE VOLTAGE vs AMBIENT TEMPERATURE

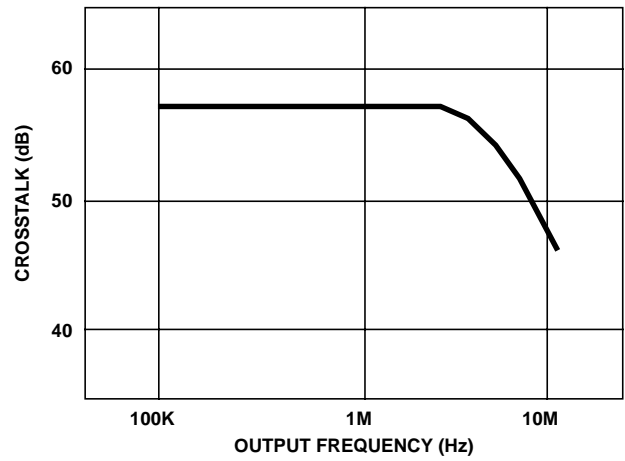


FIGURE 10. CROSSTALK vs OUTPUT FREQUENCY

Application Circuit

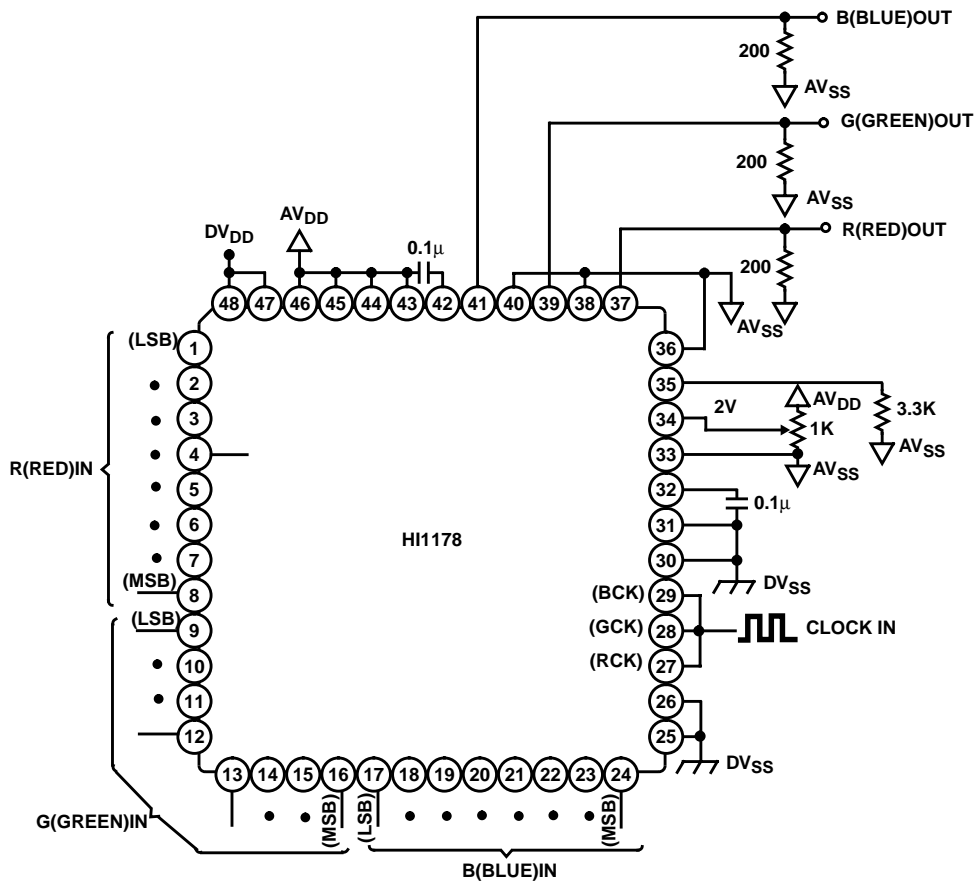


FIGURE 11.

Notes On Operation

- How to select the output resistance

The HI1178 is a current-output D/A converter. To obtain the output voltage, connect the resistance to IO pin (RO, GO, BO). For specifications we have:

Output Full Scale Voltage $V_{FS} = \text{less than } 2.0 \text{ [V]}$

Output Full Scale Current $I_{FS} = \text{less than } 15 \text{ [mA]}$

Calculate the output resistance value from the relation of $V_{FS} = I_{FS} \times R$. Also, 16 times resistance of the output resistance is connected to reference current pin I_{REF} . In some cases, however, this turns out to be a value that does not actually exist. In such a case a value close to it can be used as a substitute. Here please note that V_{FS} becomes $V_{FS} = V_{REF} \times 16R/R'$. R is the resistance connected to IO while R' is connected to I_{REF} . Increasing the resistance value can curb power consumption. On the other hand glitch energy and data settling time will

inversely increase. Set the most suitable value according to the desired application.

- Phase Relation Between Data and Clock

To obtain the expected performance as a D/A converter, it is necessary to set properly the phase relation between data and clock applied from the exterior. Be sure to satisfy the provisions of the set up time (t_S) and hold time (t_H) as stipulated in the Electrical Characteristics.

- V_{DD} , V_{SS}

To reduce noise effects separate analog and digital systems in the device periphery. For V_{DD} pins, both digital and analog, bypass respective GNDs by using a ceramic capacitor of $0.1\mu\text{F}$, as close as possible to the pin.

All Intersil semiconductor products are manufactured, assembled and tested under **ISO9000** quality systems certification.

Intersil products are sold by description only. Intersil Corporation reserves the right to make changes in circuit design and/or specifications at any time without notice. Accordingly, the reader is cautioned to verify that data sheets are current before placing orders. Information furnished by Intersil is believed to be accurate and reliable. However, no responsibility is assumed by Intersil or its subsidiaries for its use; nor for any infringements of patents or other rights of third parties which may result from its use. No license is granted by implication or otherwise under any patent or patent rights of Intersil or its subsidiaries.

For information regarding Intersil Corporation and its products, see web site <http://www.intersil.com>

Sales Office Headquarters

NORTH AMERICA

Intersil Corporation
P. O. Box 883, Mail Stop 53-204
Melbourne, FL 32902
TEL: (407) 724-7000
FAX: (407) 724-7240

EUROPE

Intersil SA
Mercure Center
100, Rue de la Fusee
1130 Brussels, Belgium
TEL: (32) 2.724.2111
FAX: (32) 2.724.22.05

ASIA

Intersil (Taiwan) Ltd.
Taiwan Limited
7F-6, No. 101 Fu Hsing North Road
Taipei, Taiwan
Republic of China
TEL: (886) 2 2716 9310
FAX: (886) 2 2715 3029